



HENGZHUN

东莞力显仪器科技有限公司

DONG GUAN LIXIAN INSTRUMENT SCIENTIFIC CO.,LTD

Product introduction

Name: HZ-7001A Moving Die Rotor Rheometer



Tel: +86 769 23388229

Fax:+86 769-23388227

Website: www.dglixian.com

E-mail: sales1@hengzhunx.com, sales2@hengzhunx.com

Add:Xinhe Management of area, Wanjiang District, Dongguan city, Guangdong province, China



Computer+button panel



Computer + touch screen panel



Touch screen panel



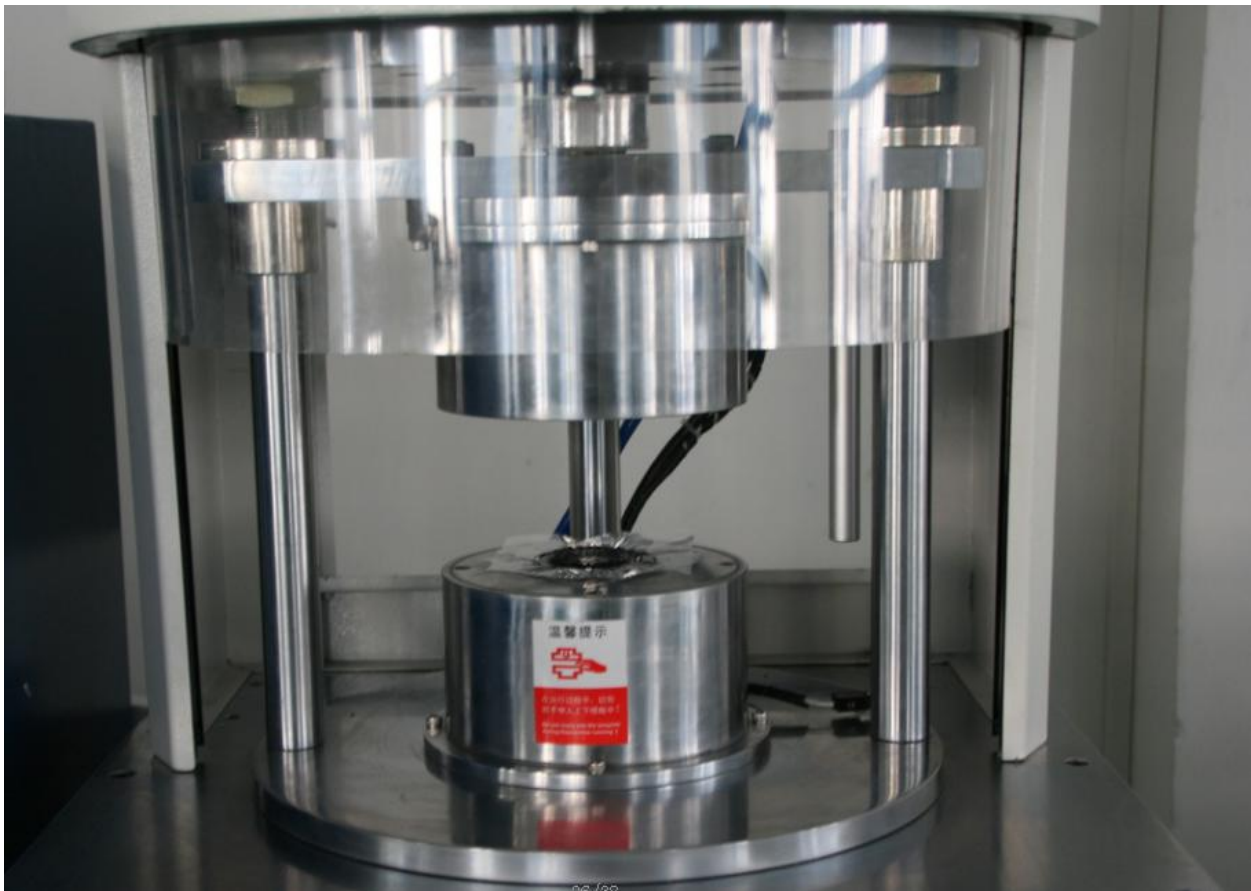
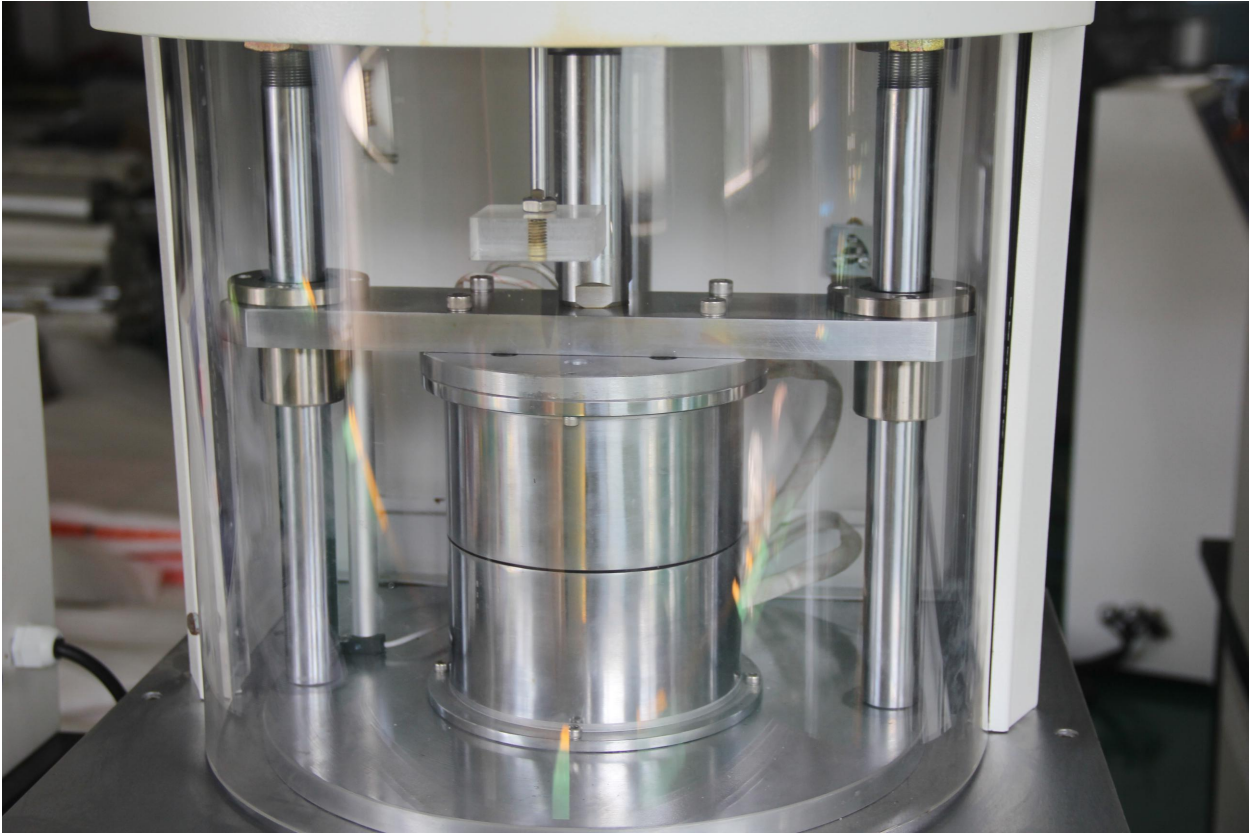
Button panel



HENGZHUN

东莞力显仪器科技有限公司

DONG GUAN LIXIAN INSTRUMENT SCIENTIFIC CO.,LTD



Tel: +86 769 23388229

Fax:+86 769-23388227

Website: www.dglixian.com

E-mail: sales1@hengzhunx.com, sales2@hengzhunx.com

Add: Xinhe Management of area, Wanjiang District, Dongguan city, Guangdong province, China



Equipment summary:

HZ-7001A moving die rheometer is the most widely used instrument for rubber quality control, rapid inspection and rubber basic research in rubber processing industry. It provides accurate data for rubber optimum formula combination, which can accurately measure scorch time and positive vulcanization. Instrument time, vulcanization index and maximum and minimum torque parameters.

Main features

- 1、 It adopts the latest version of the most advanced software in China, featuring fast heating (within 3 minutes) and high temperature control accuracy.
- 2、 It adopts the alpha closed cavity structure and is in the international leading position.
- 3、 Advanced alpha-based force sensor technology: (sensor accuracy:0.001N.m)
- 4、 The advanced alpha-closed cavity structure is used to seal the rotating cavity and the fixed



cavity through the inlet sealing ring, and the structure of the closed cavity and the general open cavity is completely different, and its precision and requirements are advanced. Sex is incomparable. The closed cavity is completely consistent in repeatability and is in an international leading position.

Working principle:

The rubber sample is placed in a nearly completely closed cavity and maintained at the test temperature. The cavity has two upper and lower parts, wherein the lower part reciprocates with a slight linear motion (oscillation), and the sample is sheared by oscillation. The reaction torque (force) of the sample to the cavity is determined, and the magnitude of the torque (force) depends on the shear modulus of the rubber.

After the start of the vulcanization test, the shear modulus of the sample increases, and the computer displays and records the torque (force) in real time. When the torque (force) rises to a stable value or a maximum value or even returns to the state, a torque is obtained. The relationship between force and time, that is, the vulcanization curve (Fig. 1), the shape of the curve is related to the temperature of the test and the characteristics of the compound.

Application industry:

It is the most important testing instrument for national research and development of new products, research on rubber compound formula, control rubber material quality and rubber basic research application. Widely used in all walks of life in rubber products.

Meet the standards:

- ① GB/T16584
- ② ISO6502:1991
- ③ ASTM D5289-95



HENGZHUN

东莞力显仪器科技有限公司

DONG GUAN LIXIAN INSTRUMENT SCIENTIFIC CO.,LTD

Technical parameters:

Model	HZ-7001A
Temperature range	RT—200℃
Minimum temperature display	0.1℃
Temperature fluctuation range	±0.15℃
Heating rate	About 15℃/min
Torque range	0-20mm
Torque minimum reading	0.001nm
Swing angle	±0.5°/ ±1°/ ±3°(options one of them)
Swing speed	100r/min(1.66HZ)
Torque accuracy	0.3%
Torque unit	N.m、N.cm、N.inch、kN.m、kN.cm、kN.inch、kg.m、kg.cm、kg.inch、lp.m、lp.cm、lp.inch、g.m、g.cm、g.inch
Temperature display resolution	0.01℃
Temperature recovery time after clamping	< 1.5min
Temperature unit	C (degrees Celsius), F (Fahrenheit), K (Kelvin)
Acquisition rate	200time/s
Software langague	English, Chinese Simplified, Chinese Traditional
Standard	GB/T 16584、ASTM D5289、ISO 6502
Calculation parameters	ts1、ts2、t10、t30、t50、t70、t90、Vc1、Vc2
Software connection	USB2.0
Dimensions	Based box: 56*58*51 Main machine: 62*52*128 Computer cabinet: 56*56*130
Printing contents	date, time, temperature, vulcanization curve, temperature curve, ML, MH, ts1 ,ts2, t10, t50 ,t90, Vc1, Vc2
Power	220V±15V

Tel: +86 769 23388229

Fax:+86 769-23388227

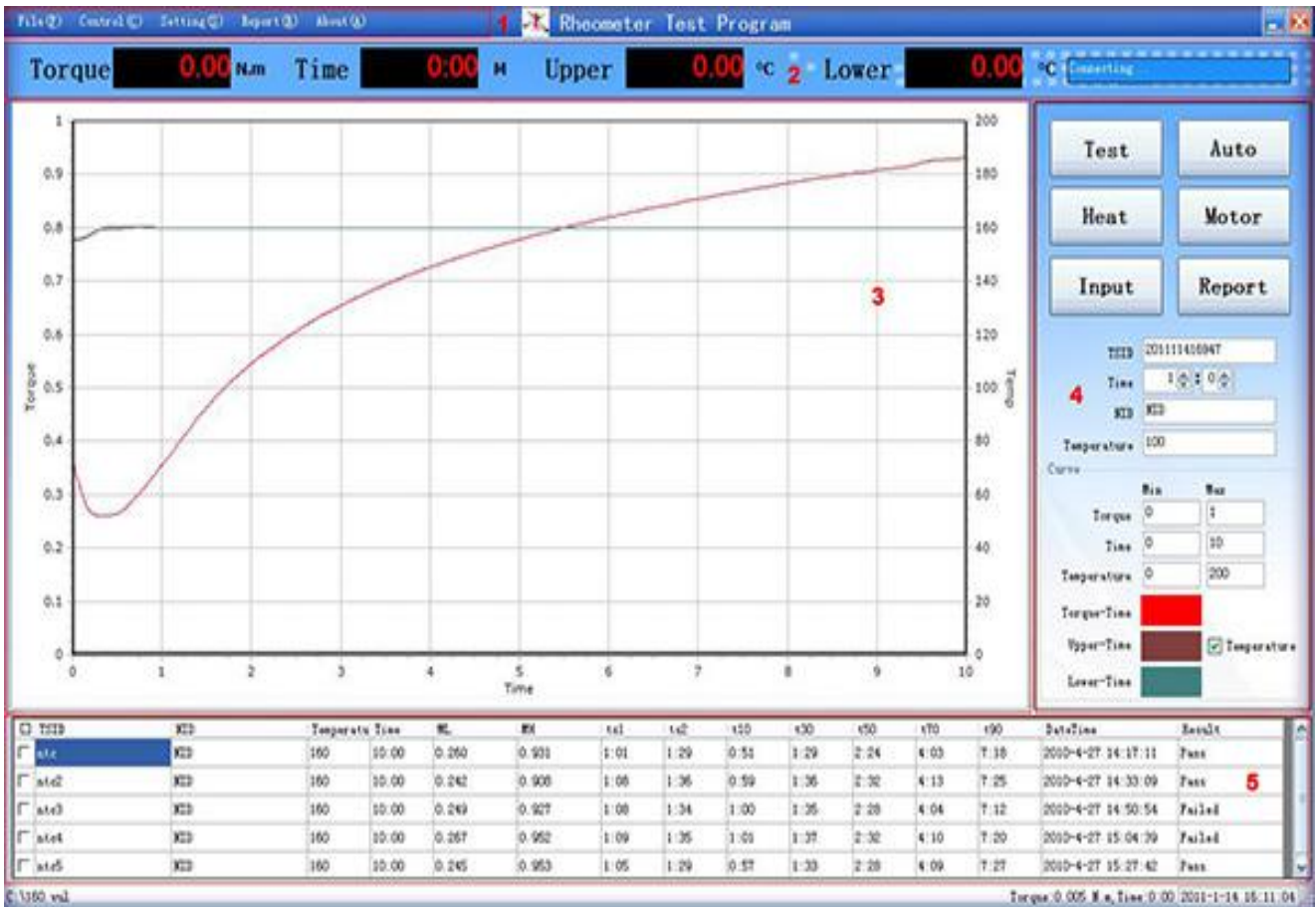
Website: www.dglixian.comE-mail: sales1@hengzhunx.com, sales2@hengzhunx.com

Add:Xinhe Management of area, Wanjiang District, Dongguan city, Guangdong province, China



Air pressure	0.5Mpa-----0.65MPa (User need to prepare an air tube with an outer diameter of 8mm)
--------------	---

Software interface:



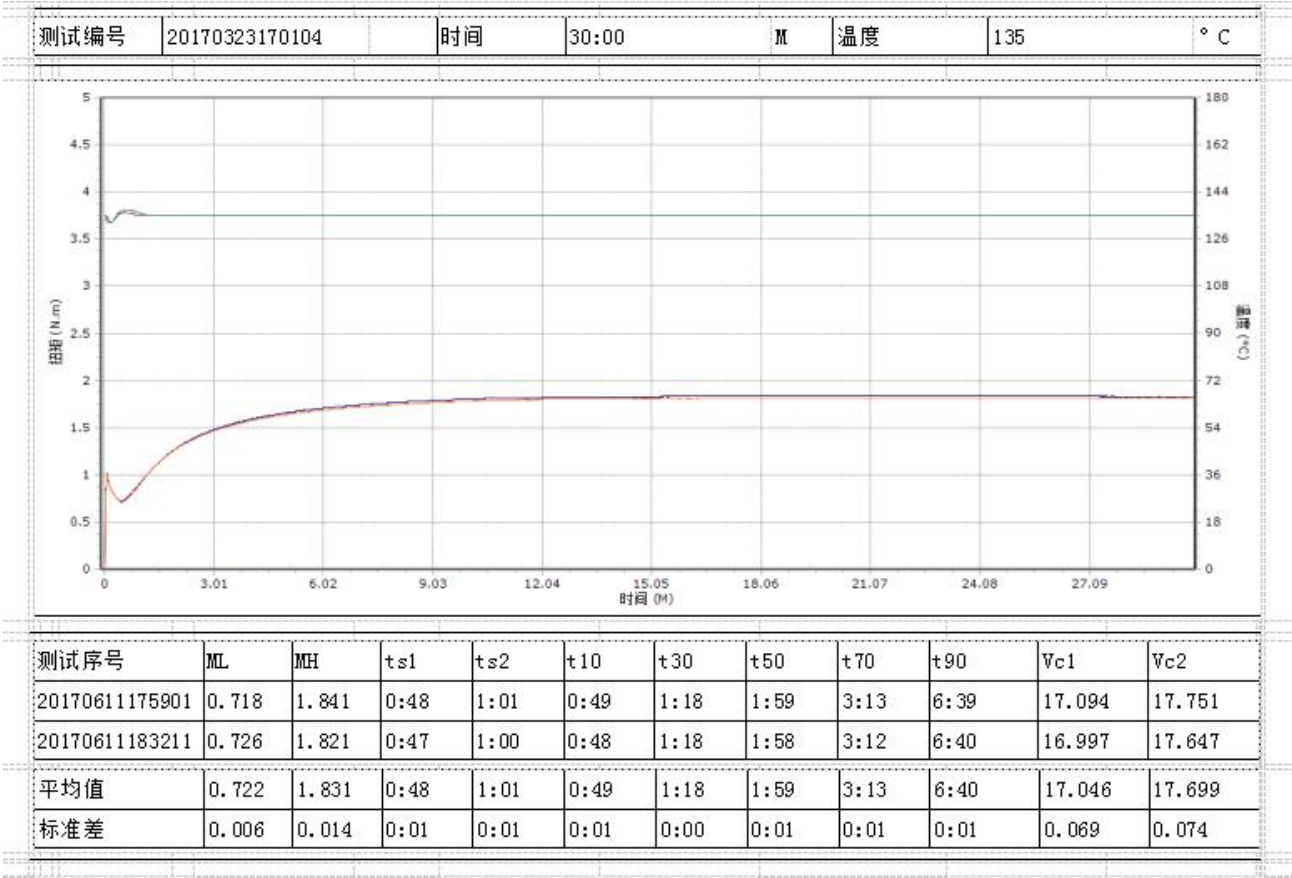
Test report:



HENGZHUN

东莞力显仪器科技有限公司

DONG GUAN LIXIAN INSTRUMENT SCIENTIFIC CO.,LTD



Configuration list:

No.	Item	QTY	Place of origin
1	AC motor	1	China
2	Mainboard	1	China
3	Alpha load cell of PT100	1	American(accuracy:0.001N.m)
4	Cylinder	1	Customized
5	Computer	1	HP brand
6	Printer	1	HP brand
7	Software(installed in computer)	1	Lixian
8	Filter	1	American
9	Exhaust fan	1	China

Tel: +86 769 23388229

Fax:+86 769-23388227

Website: www.dglixian.com

E-mail: sales1@hengzhunx.com, sales2@hengzhunx.com

Add:Xinhe Management of area, Wanjiang District, Dongguan city, Guangdong province, China



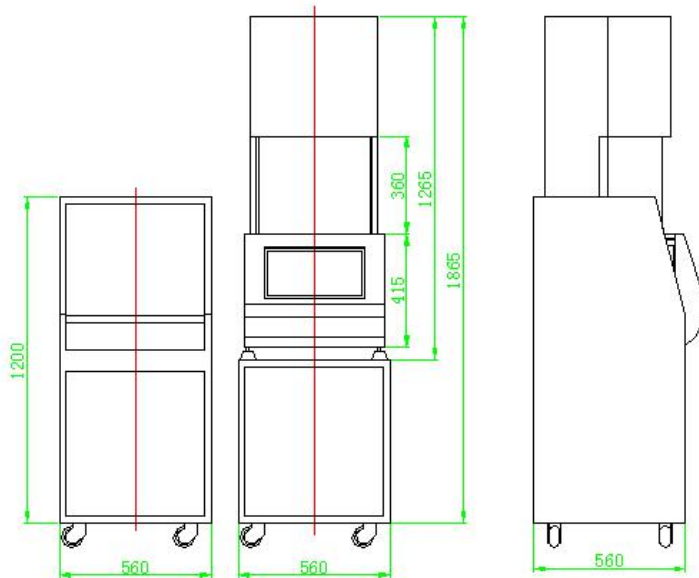
HENGZHUN

东莞力显仪器科技有限公司

DONG GUAN LIXIAN INSTRUMENT SCIENTIFIC CO.,LTD

10	Leakage protector	1	Schneider
11	Fuse	1	China
12	Alpha closed mold cavity	1	Lixian
13	Acrylic protective cover	1	Lixian
14	Water separator	1	China
15	Solenoid valve	1	Schneider
16	Heating film	1	Customized
17	Cables	Some	China
18	Main machine	1	Lixian
19	Computer desk	1	Lixian
20	Based box	1	Lixian
21	Temperature loadcell	1	China
22	Software copy(CD)	1	Lixian
23	User manual (in English)	1	Lixian

Design drawing:



Tel: +86 769 23388229

Fax:+86 769-23388227

Website: www.dglixian.com

E-mail: sales1@hengzhunx.com, sales2@hengzhunx.com

Add:Xinhe Management of area, Wanjiang District, Dongguan city, Guangdong province, China