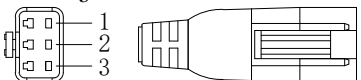
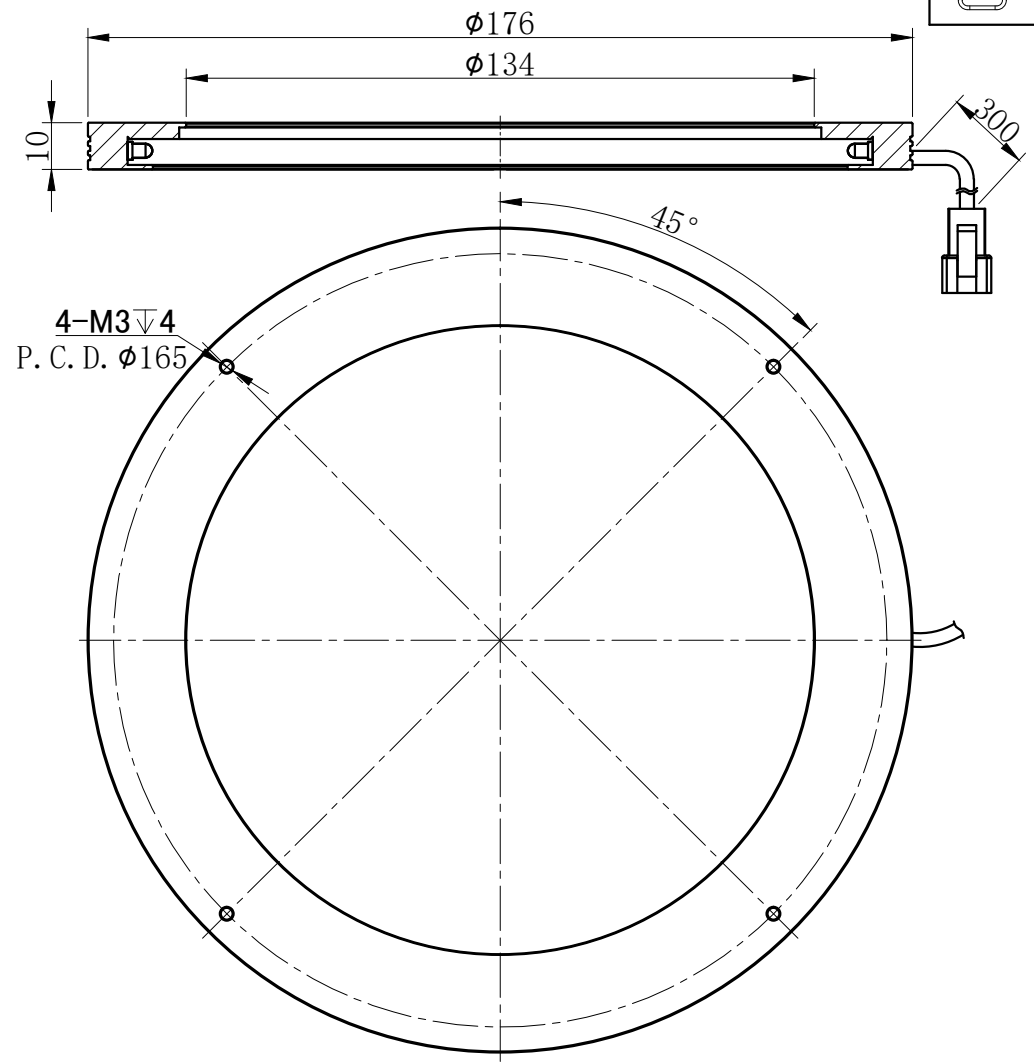
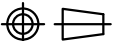


JST-SMR-03V-B



Pin1 -- Brown/+
Pin2 -- NC
Pin3 -- Blue/-



Product Installation Dimensions					Design	刘 靖	2019.01.25			wordop® 沃德普	
Input Voltage	Power				Approve				Name		
	R	W/G/B	IR	UV	Weight	View Direction	Ratio	Unit	Model	LAR-176-00	
24V	8.8W	11W					1:1	mm			