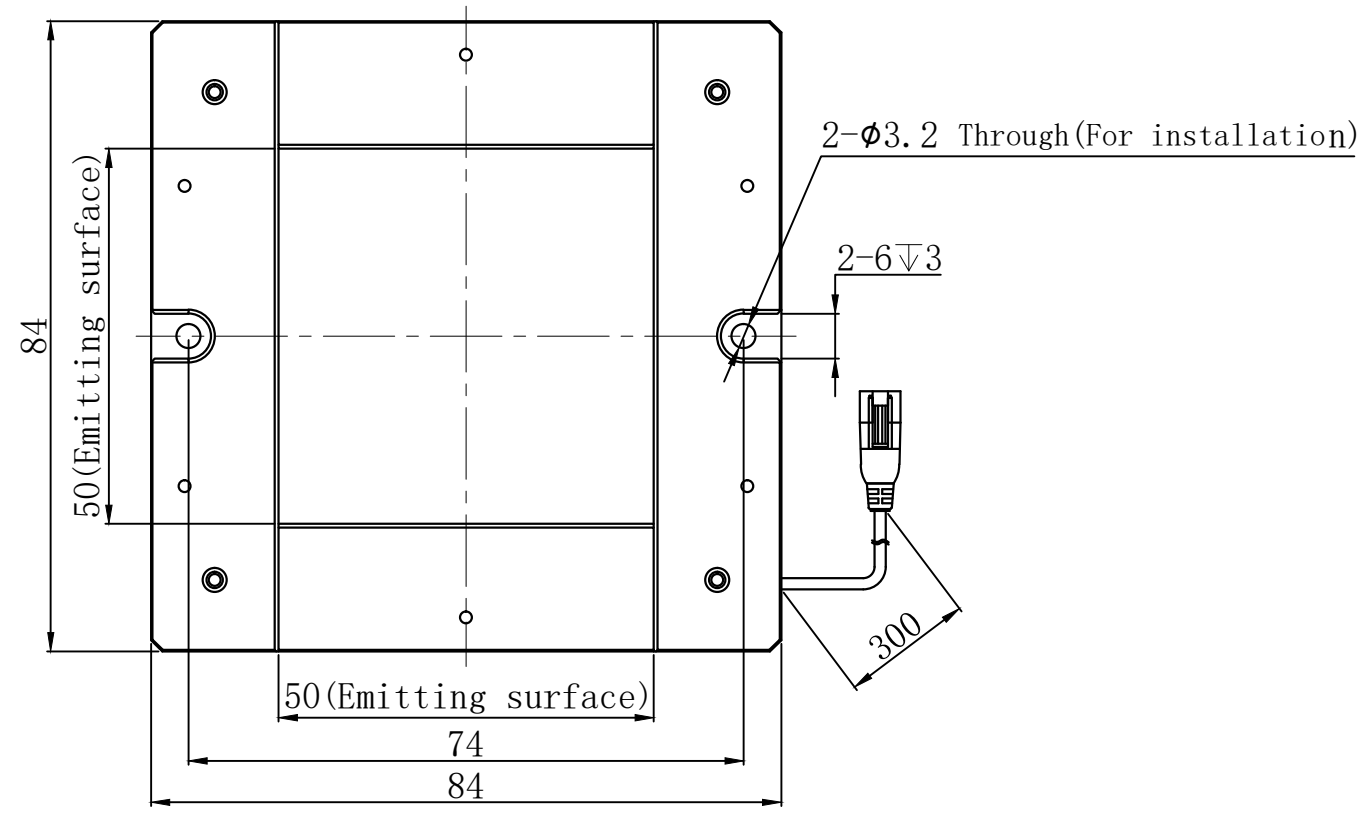
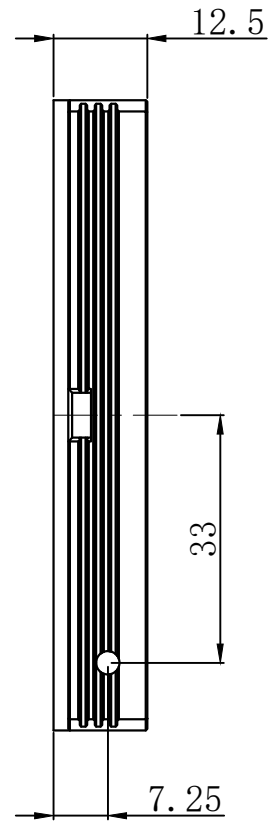


JST-SMR-03V-B

Pin1 -- 棕色/+
Pin2 -- 空 /NC
Pin3 -- 蓝色/-



Product Installation Dimensions					Design	成忠波	2017.07.09			wordop® 沃德普	
Input Voltage	Power				Approve						
	R	W/G/B	IR	UV	Weight	View Direction	Ratio	Unit	Name	Side-Irradiation Collimated Backlights	
24V	3.0W	10.9W			170g		1:1	mm	Model	FQGP2-50X50	