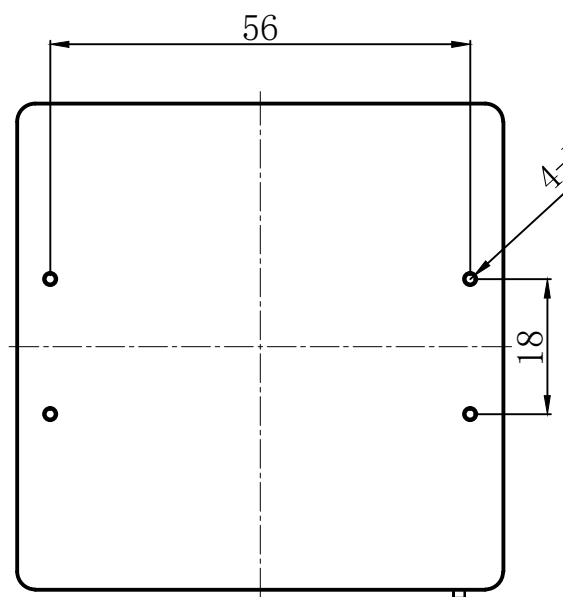
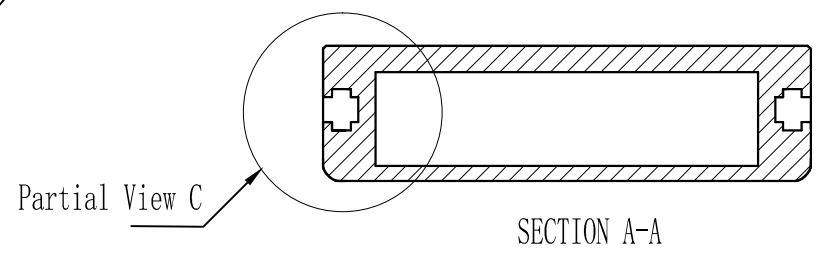
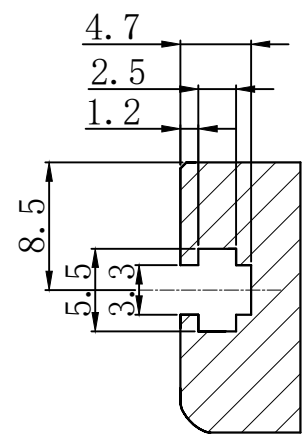
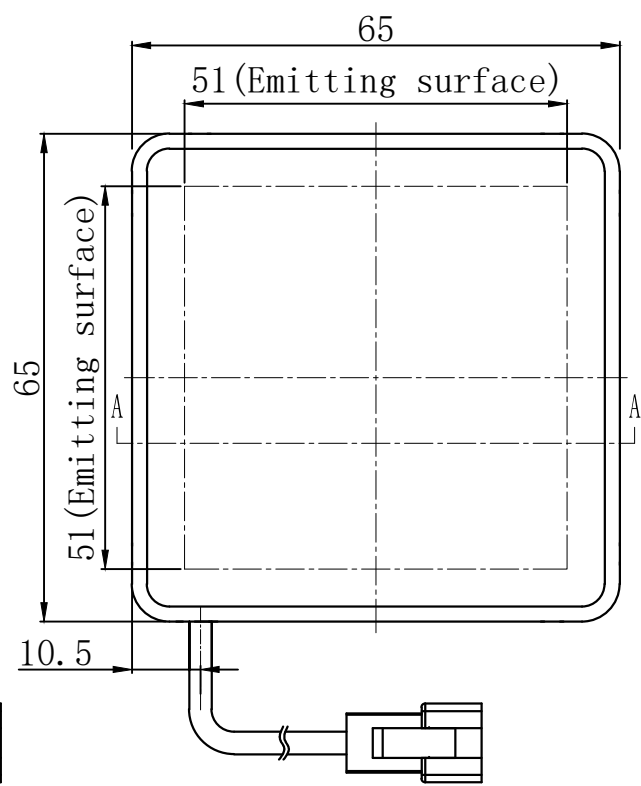
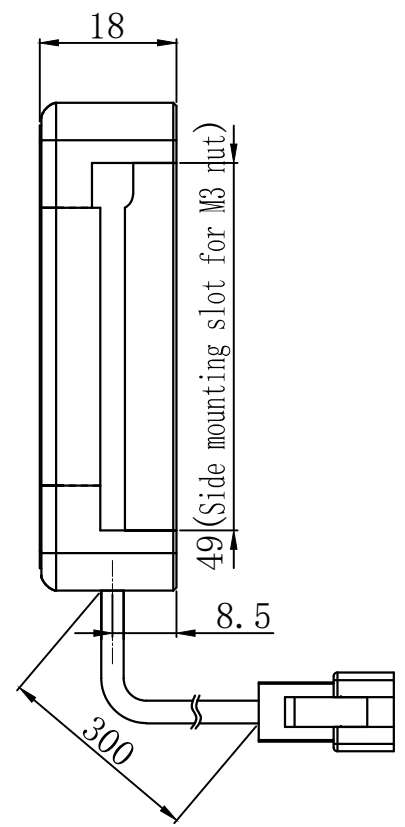


JST-SMR-03V-B  
 Pin1 -- 棕色/+  
 Pin2 -- 空 /NC  
 Pin3 -- 蓝色/-



4-M3√5 (For installation)



Partial View C, Four sides, Mounting slot for M3 nut, Scale 2:1

Product Installation Dimensions					Design	成忠波		2017.07.09		wordop® 沃德普	
Input Voltage	Power				Approve					Name	Bottom-Irradiation Backlights
	R	W/G/B	IR	UV	Weight	View Direction	Ratio	Unit	Model	FQ2-51X51	
24V	4.2W	4.4W			100g		1:1	mm			