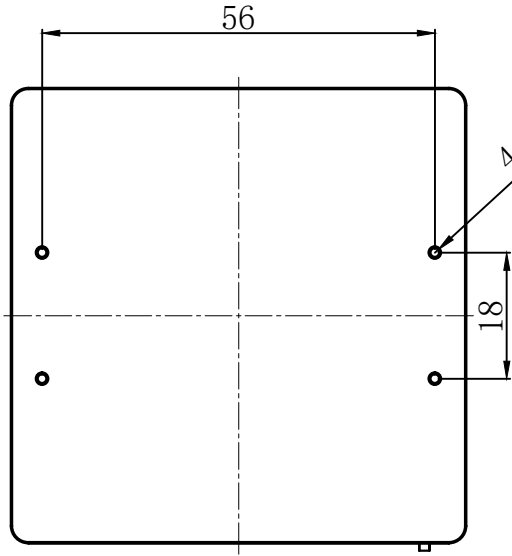
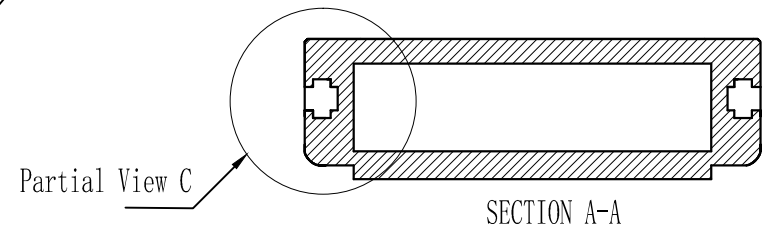
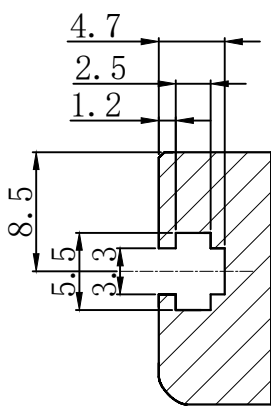
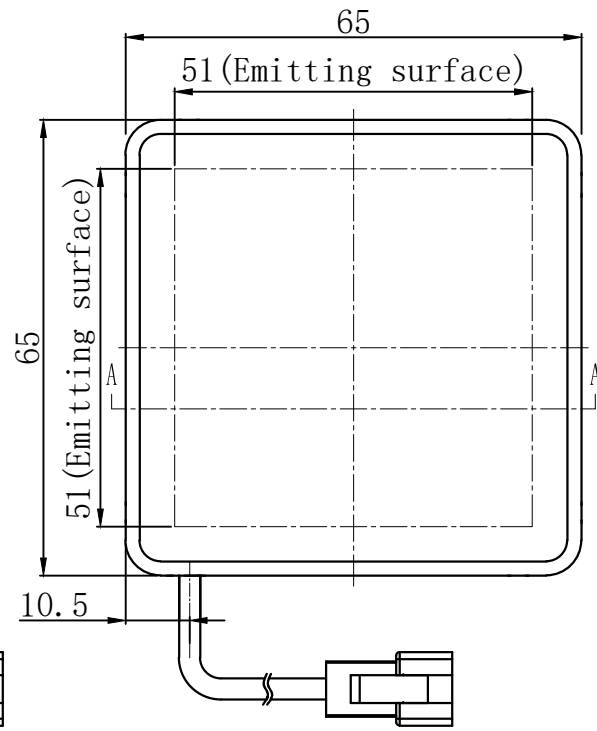
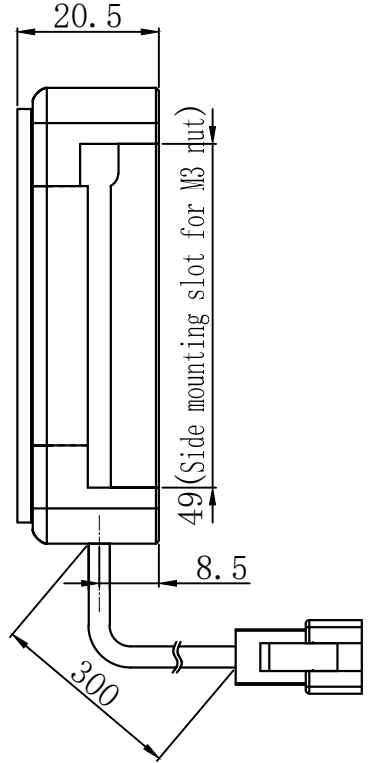


Pin1 -- 棕色/+
Pin2 -- 空 /NC
Pin3 -- 蓝色/-



4-M3√5 (For installation)



Partial View C , Four sides, Mounting slot for M3 nut, Scale 2:1

Product Installation Dimensions					Design	成忠波	2017.07.09			wordop® 沃德普	
Input Voltage	Power				Approve				Name	Bottom Collimated Backlights	
	R	W/G/B	IR	UV	Weight	View Direction	Ratio	Unit	Model	FQP2-51X51	
24V	4.2W	4.4W			115g		1:1	mm			