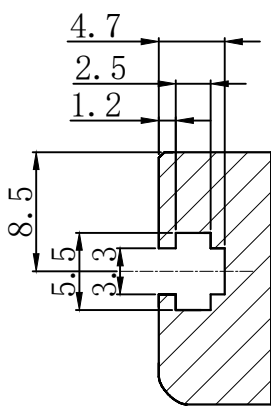
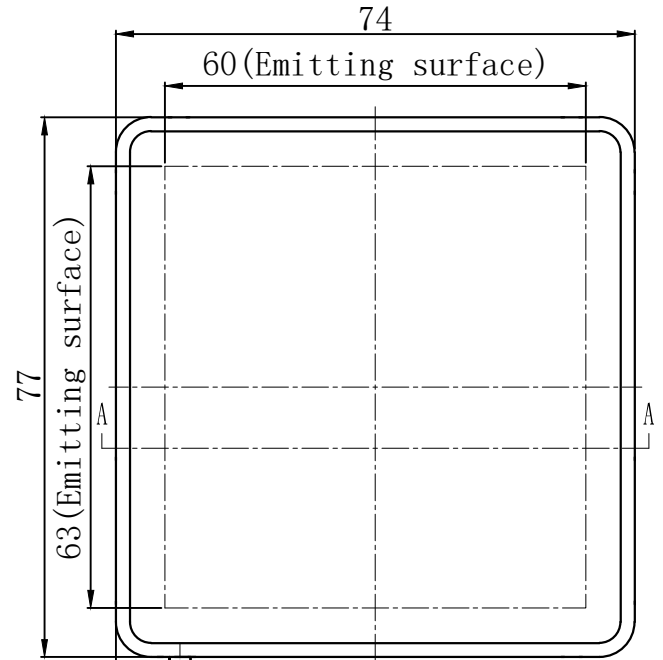
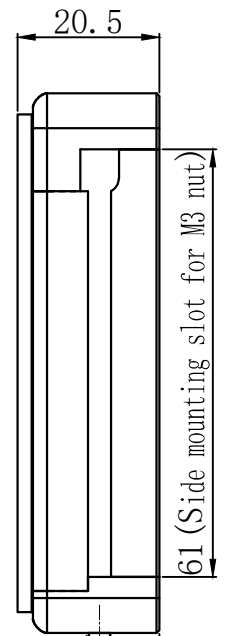
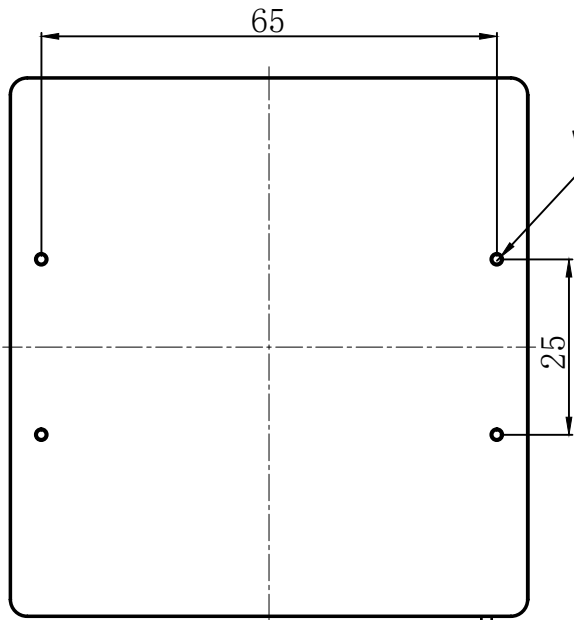
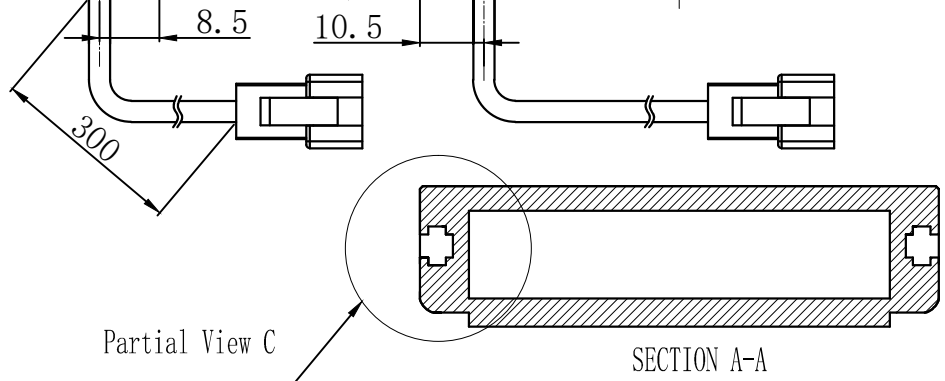


Pin1 -- 棕色/+  
Pin2 -- 空 /NC  
Pin3 -- 蓝色/-



Partial View C, Four sides, Mounting slot for M3 nut, Scale 2:1



Product Installation Dimensions					Design	成忠波		2017.07.09		wordop® 沃德普	
Input Voltage	Power				Approve					Name	Bottom Collimated Backlights
	R	W/G/B	IR	UV	Weight	View Direction	Ratio	Unit	Name	Model	FQP2-63X60
24V	4.1W	5.1W			150g		1:1	mm	Model	FQP2-63X60	