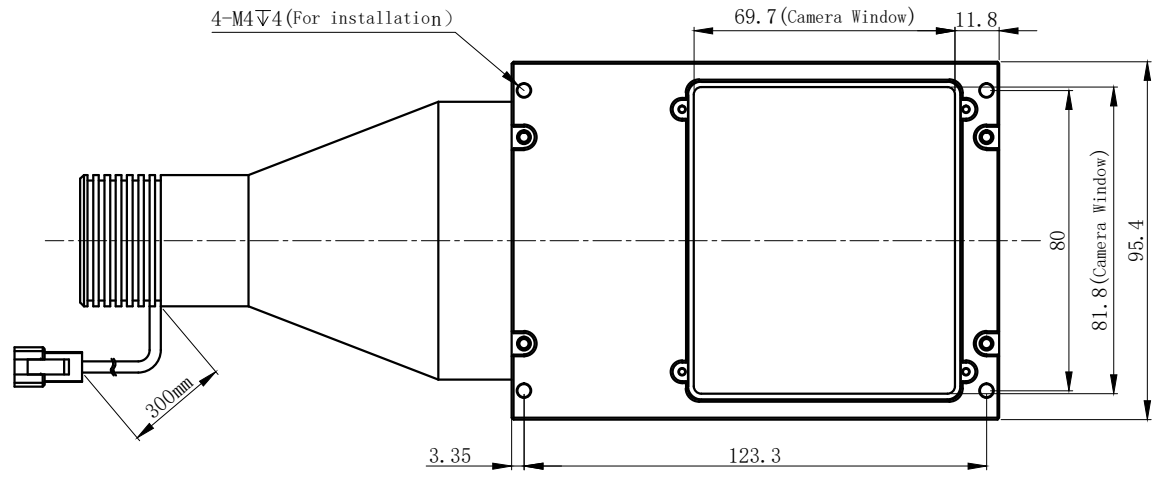
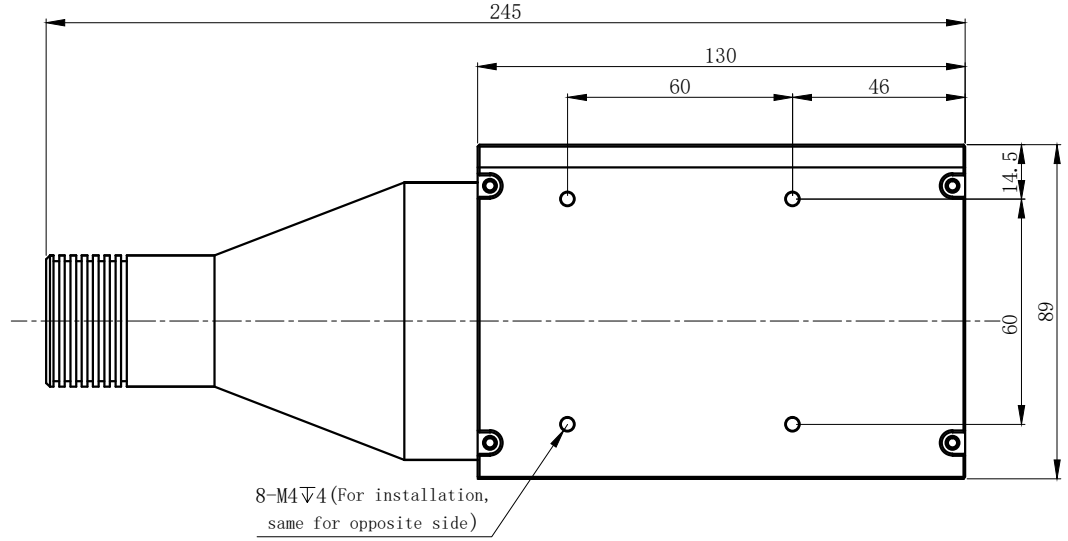
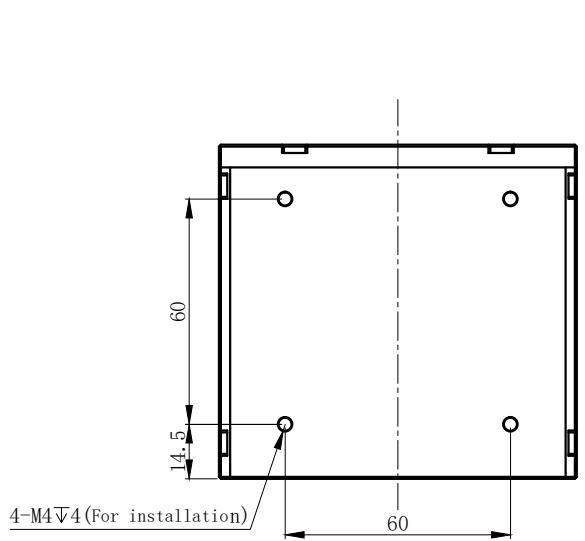


Pin1 -- 棕色/+
 Pin2 -- 红色/-
 Pin3 -- 蓝色/ID



Product Installation Dimensions					Design	黄开生		2017.07.01		wordop® 沃德普	
Input Voltage	Power				Approve				Name		
	R	W/G/B	IR	UV	Weight	View Direction	Ratio	Unit	Model	COP-80	
24V	1.1W	3.2W			1410g		1:2	mm			