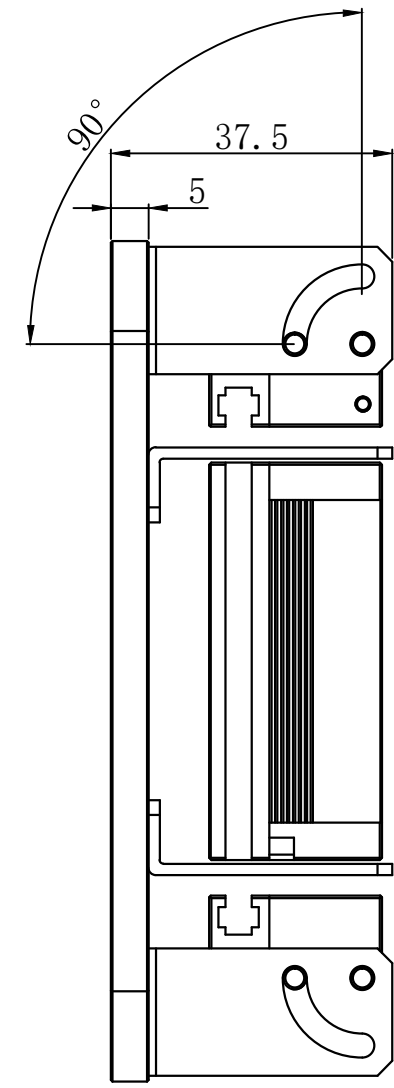
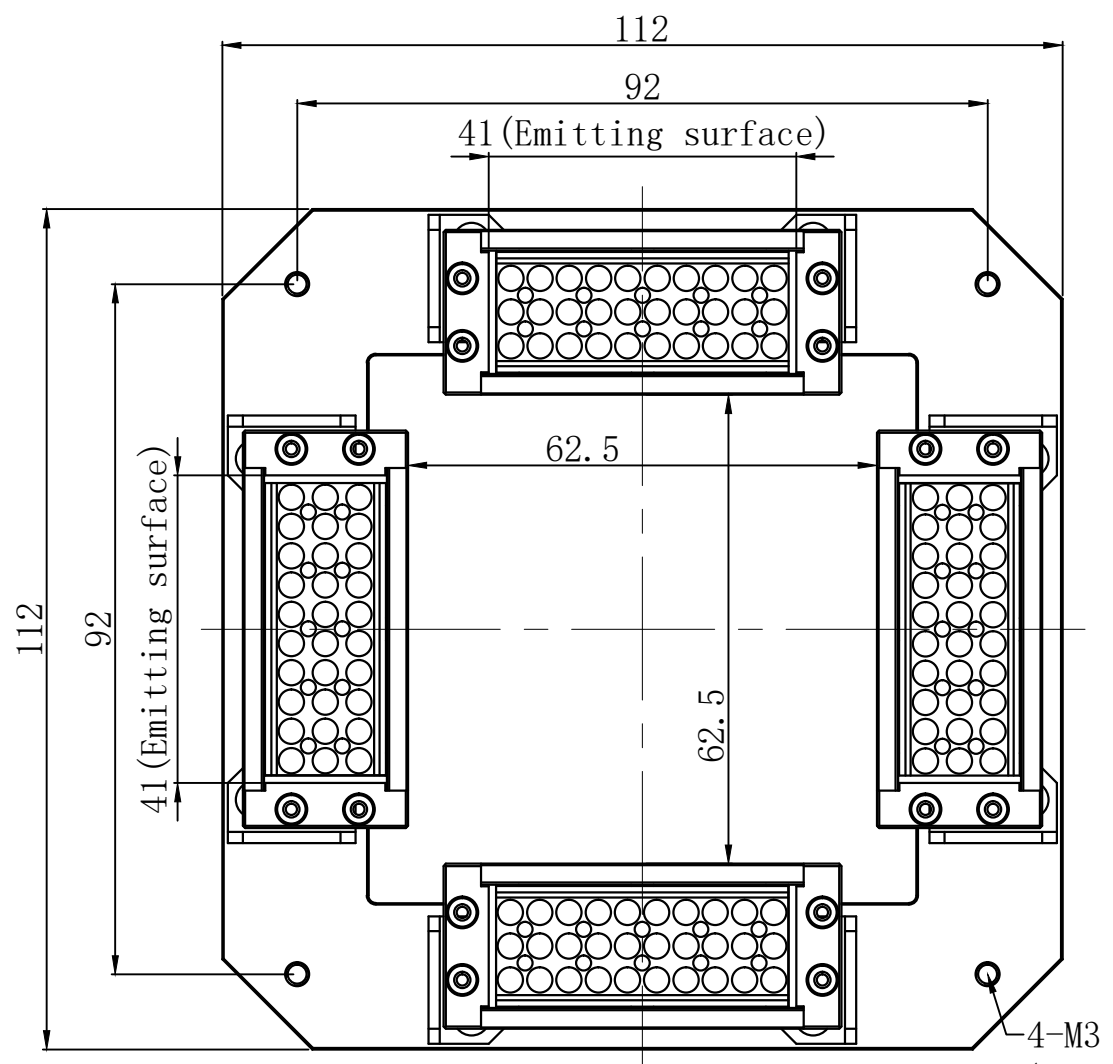


Pin1 -- 棕色/+
 Pin2 -- 空 /NC
 Pin3 -- 蓝色/-



4-M3
 (For installation)

Product Installation Dimensions					Design	成忠波	2017.06.22		wordop® 沃德普	
Input Voltage	Power				Approve					
	R	W/G/B	IR	UV	Weight	View Direction	Ratio	Unit	Model	HDL3-41X41
24V	1.3W	1.7W			300g		1:1	mm		