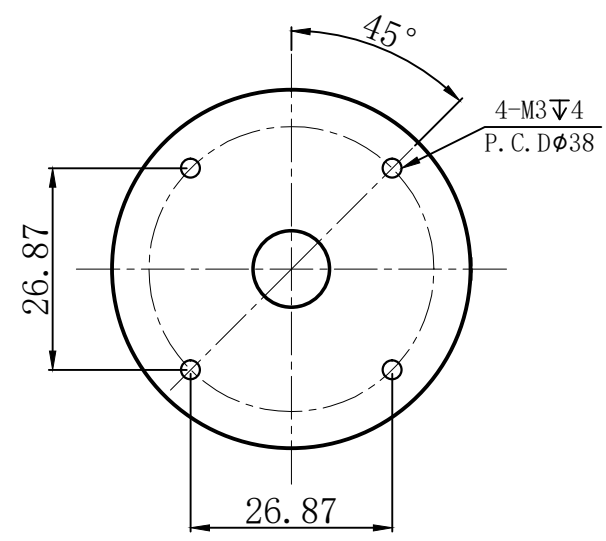
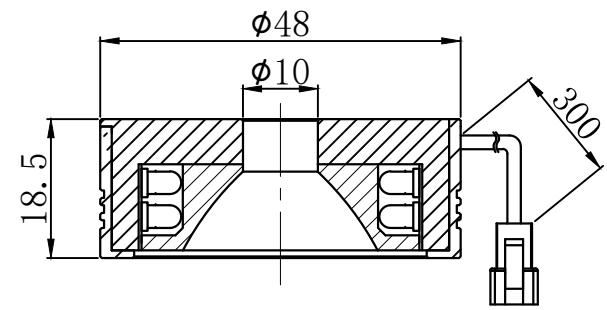


JST-SMR-03V-B  
 Pin1 -- 棕色/+  
 Pin2 -- 空 /NC  
 Pin3 -- 蓝色/-



| Product Installation Dimensions |       |       |    |    | Design  | 成忠波            |       | 2017.06.09 |       | <b>wordop® 沃德普</b>              |  |
|---------------------------------|-------|-------|----|----|---------|----------------|-------|------------|-------|---------------------------------|--|
| Input Voltage                   | Power |       |    |    | Approve |                |       |            |       |                                 |  |
|                                 | R     | W/G/B | IR | UV | Weight  | View Direction | Ratio | Unit       | Name  | Diffused High Angle Ring Lights |  |
| 24V                             | 2.2W  | 3.8W  |    |    | 60g     |                | 1:1   | mm         | Model | FGR2-48                         |  |