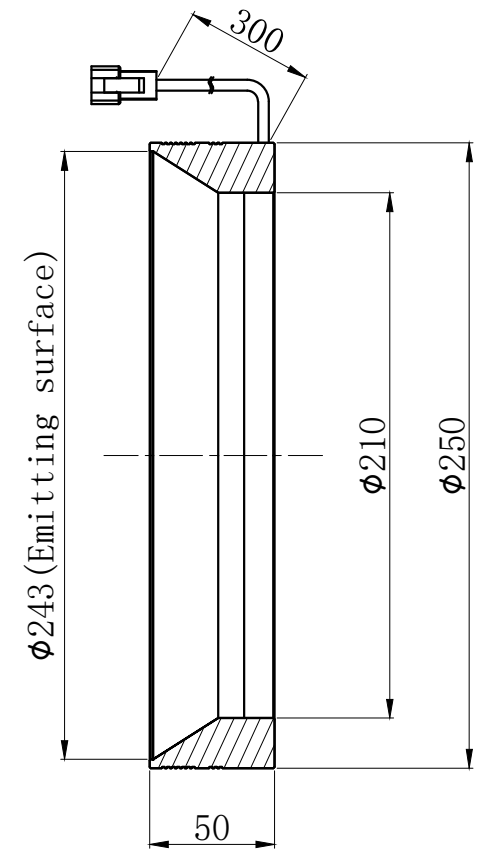
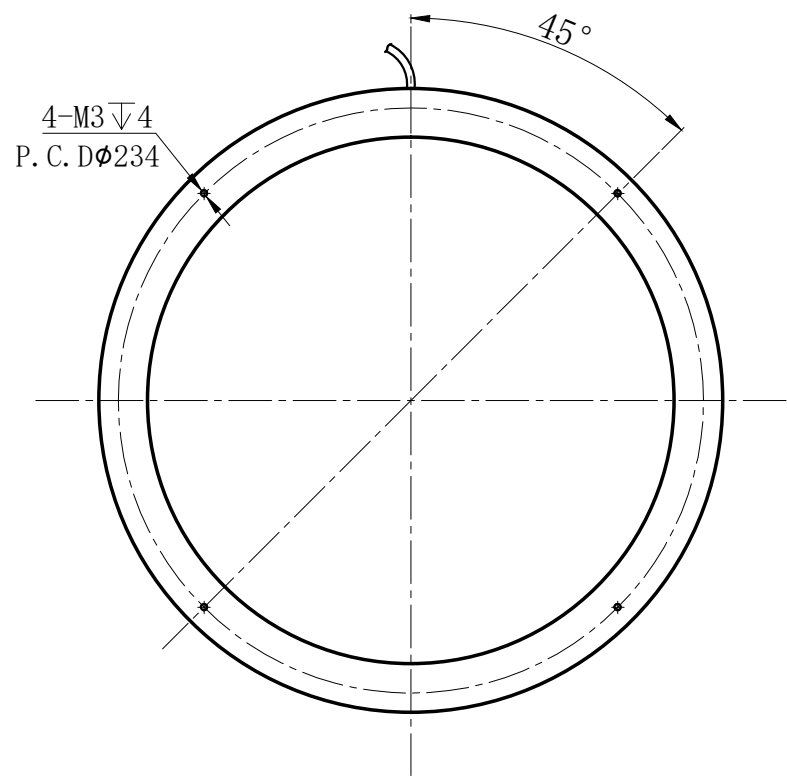


JST-SMR-03V-B

Pin1 -- 棕色/+  
Pin2 -- 空 /NC  
Pin3 -- 蓝色/-



Product Installation Dimensions					Design	成忠波		2017.07.09		wordop® 沃德普	
Input Voltage	Power				Approve						
	R	W/G/B	IR	UV	Weight	View Direction	Ratio	Unit	Name	Diffused Low Angle Ring Lights	
24V	13.1W	32.8W			960g		1:3	mm	Model	FLR-250	