



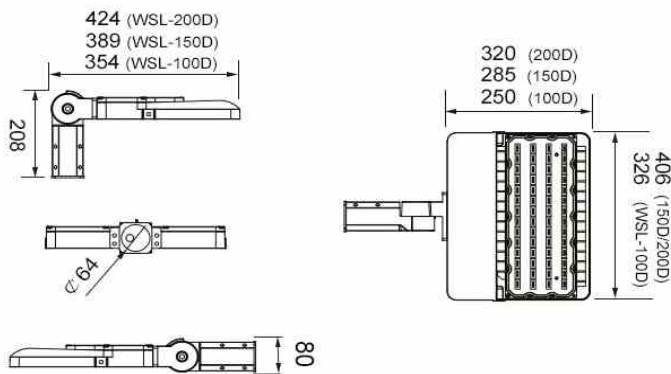
We never give up innovation on the way to bright hopes...

Super High Flux
LED Streetlight

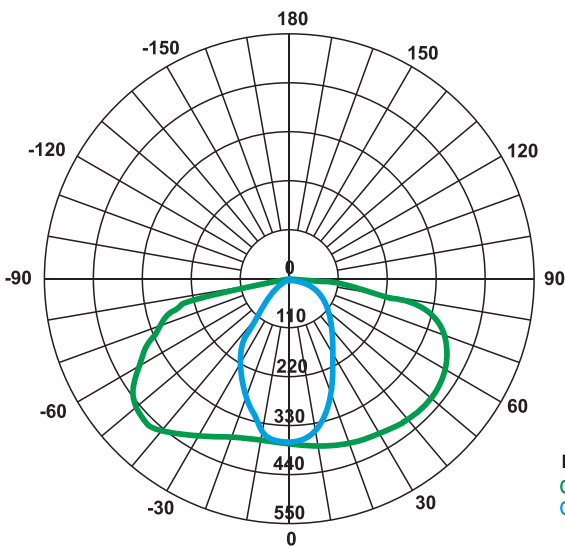


Street Light WSL-D

WSL-100/150/200D



Dimensions in mm



Average Beam Angle(50%):110.0deg

Light Intensity: cd/klm
 C0/180 146.2deg
 C90/270 73.7deg

Standards & Ratings

- RoHS 2011/65/EU (suitable for EU pollution-free standards)
- EMC tested
- LVD directives
- Driver approved by UL,GS,TUV
- CE certified
- CE No.2G170412.WU017
- IP-67

Mechanical Information:

Fixture weight:

Model	100W	150W	200W
NW	5.3kg	7.4kg	7.8kg
GW	6.3kg	8.5kg	8.9kg

Mounting:

Choose a proper pipe(OD<60mm) to mount the product. Adjustable at a 10deg range in vertical direction.

Electrical Specifications:

Input Voltage/current: 100 - 240V AC, 50/60 Hz (Mains type)

Total system power consumption: 100W,150W,200W

Operating Temp: 40°F to 165°F (-40°C to 74°C) ambient

Terminal Block:: #14 AWG (1.6mm) to #6 AWG (4.1mm) wire and accessible via hinged tool less entry

Noise requirement /EMC: FCC Title 47, Subpart B, Section 15, class A device. RF Immunity; 10V/m, 80MHz-1GHz

Transient protection: Open circuit surge protection 10kV standard per ANSI/IEEE C62.41. 2.2002 cat C high

THD(Mains): <20%

Power Factor(Mains): > 0.95

LED driver: SOSEN®, eff >0. 92

Construction:

Housing: Aviation 6063 aluminum

Finish: Superior dual coat finish
 - Anti-oxidation treatment
 - Powder baking coating

Lens: Optically optimized, PC

Photo controller socket: Standard NEMA three prong twist lock, socket with shorting cap, as per ANSI C136.10

Photometric Information:

CRI: >75

CCT: 4000K (warm white)
 5000K (neutral white)
 6000K (cool white)

Optics: IES Type III

Beam Angle: 110deg

Light output eff: 120lm/W(6000K typical)

LED chip: Bridgelux®

All values typical unless otherwise stated
 Lumen values are typical (tolerance +/- 10%)