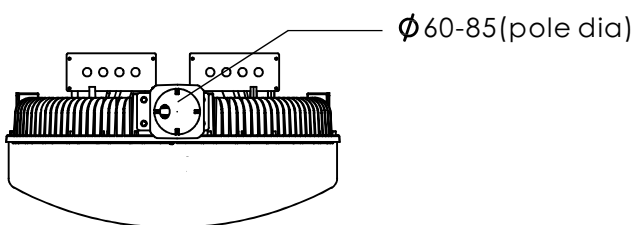
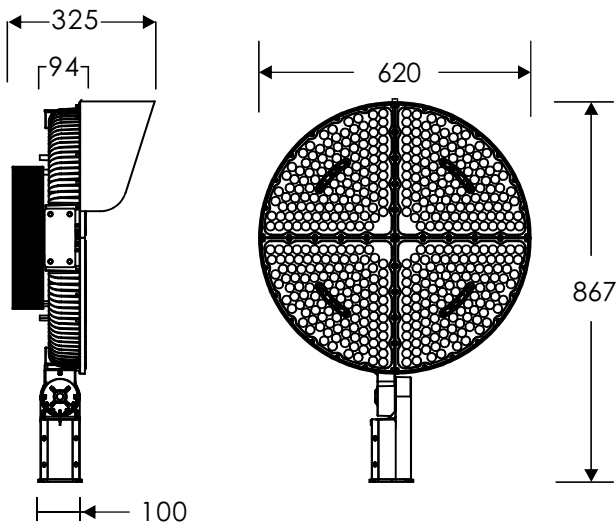
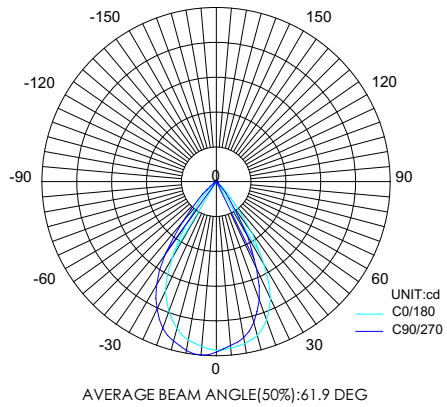


WFL-500A

Parameters	Data
Input Voltage	100-277V/AV
Rated Power	500W
Luminous Flux	60,000LM
Beam Angle	10/25/45/60°
LED Type	SMD5050
CRI	> 70
CCT	5500-6000K
Working Temp.	-30 ~ 40°C
IP Rating	IP66
Power Factor	> 0.95
Net Weight	16.4 kg



WFL-1000A

Parameters	Data
Input Voltage	100-277V/AV
Rated Power	1000W
Luminous Flux	120,000LM
Beam Angle	10/25/45/60°
LED Type	SMD5050
CRI	> 70
CCT	5500-6000K
Working Temp.	-30 ~ 40°C
IP Rating	IP66
Power Factor	> 0.95
Net Weight	27.5 kg

