

Specification Sheet

Picture:



Product size:

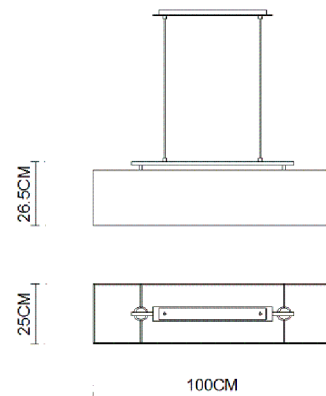
Name: ----- Raster 3 Bar pendant

Code: ----- 3518

Finish: ----- Polished

Main Material: ---- Stainless steel
+ Steel

Shade Material: -- Fabric+PVC



Lamp Source: E27

Wattage:  3x40W /  3x12W

Input Voltage: 220~240 V

Lumen: 1020 lm

Switch: Na

Energy Efficiency Class:

Plug: Na

Specification:



IP20

Inner Box:

Gross Weight: 7.4 KGS

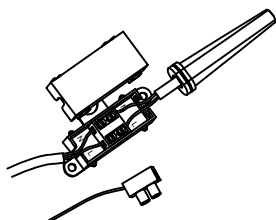
1030*280*270(mm) 1pc

Net Weight: 4.6 KGS

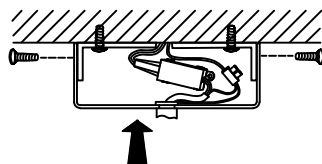
Outer Carton:

1045*295*570(mm) 2pcs

Cable Length / Terminal Block:



Installation Instruction:



size:450x50xH:20

