

Specification Sheet

Picture:



Product size:

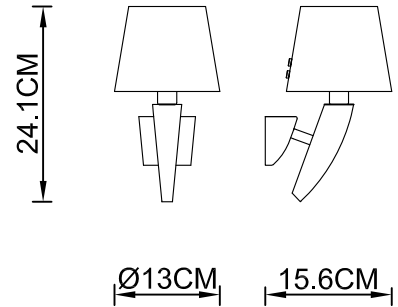
Name: ----- Fly Glass Wall Lamp

Code: ----- 1117

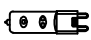
Finish: ----- Polished+Opal

Main Material: --- Stainless steel

Shade Material: -- Opal Glass



Lamp Source: G9

Wattage:  1x20W

Input Voltage: 220~240 V

Lumen: 250 lm

Switch: Na

Energy Efficiency Class: C

Plug: Na

Specification:



Inner Box:

Gross Weight: 10KGS

320*235*175(mm) 1pc

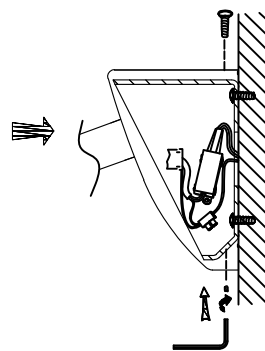
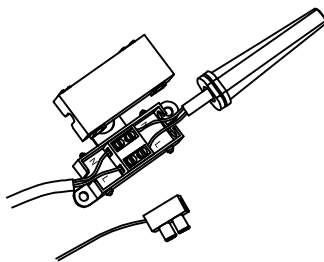
Net Weight: 5.6KGS

Outer Carton:

490*335*735(mm) 8pcs

Cable Length / Terminal Block:

Installation Instruction:



size: 68*60xH: 39.4

