

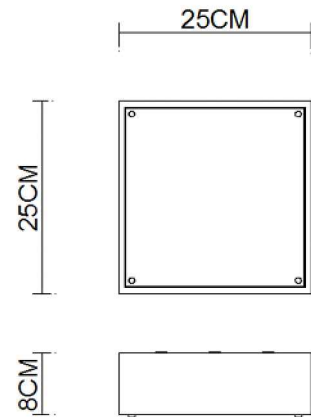
Specification Sheet

Picture:



Product size:

Name: ----- Radar Square
Plaster Ceiling Lamp
Code: ----- 3300
Finish: ----- White
Main Material: ---- Plaster+Steel
Shade Material: -- Plaster



Lamp Source: E14

Wattage: 1x40W / 1x9W

Input Voltage: 220~240 V

Lumen: 340 lm

Switch: Na

Energy Efficiency Class:

Plug: Na

Specification:



Inner Box:

Gross Weight: 23.2 KGS

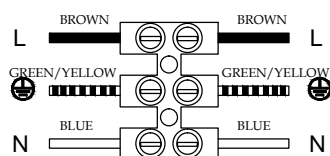
315*315*160(mm) 1pc

Net Weight: 18.6 KGS

Outer Carton:

650*330*670(mm) 8pcs

Cable Length / Terminal Block:



Installation Instruction:

