

PIVOT HINGE SERIES



YAKO HARDWARE MANUFACTURER CO.,LTD

WEBSITE : www.yako-hw.com

TEL: +86 750 3278683

ADDRESS: No.198 Tianhe Zhongroad Industrial Park, Jiangmen, Guangdong China , Post code: 529000

MATERIAL: STAINLESS STEEL

FINISH: SATIN

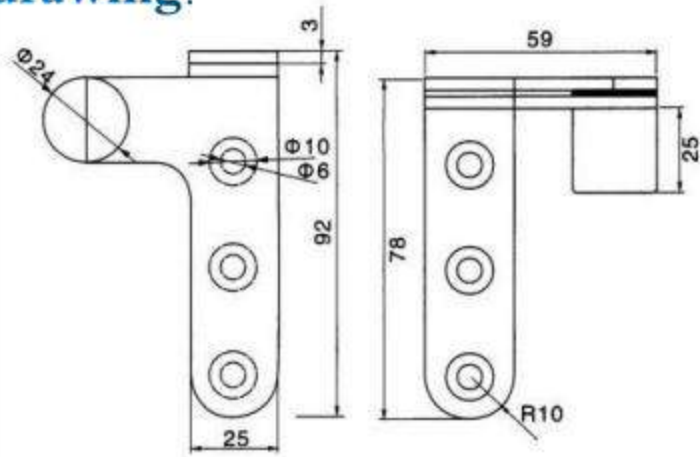
USAGE: DOOR

ANGLE: 360 DEGREE/ 110 DEGREE



YDH-001

drawing:



DETAILS:



tightly fix



counter sink screw hole



3mm thickness
long lasting



satin finish
smooth surface

MATERIAL	stainless steel
SUPPORT WEIGHT	30 KG
SIZE	standard size



Material	stainless steel 201/304
Package	one set in one plastic bag
Size	as our drawing shown



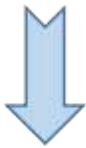
YH-127

YH-162SS-A

Material: stainless steel

Finish: satin

Support weight: 50kgs

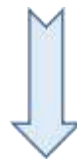


YH-162SS-B

Material: stainless steel

Finish: satin

Support weight: 50kgs

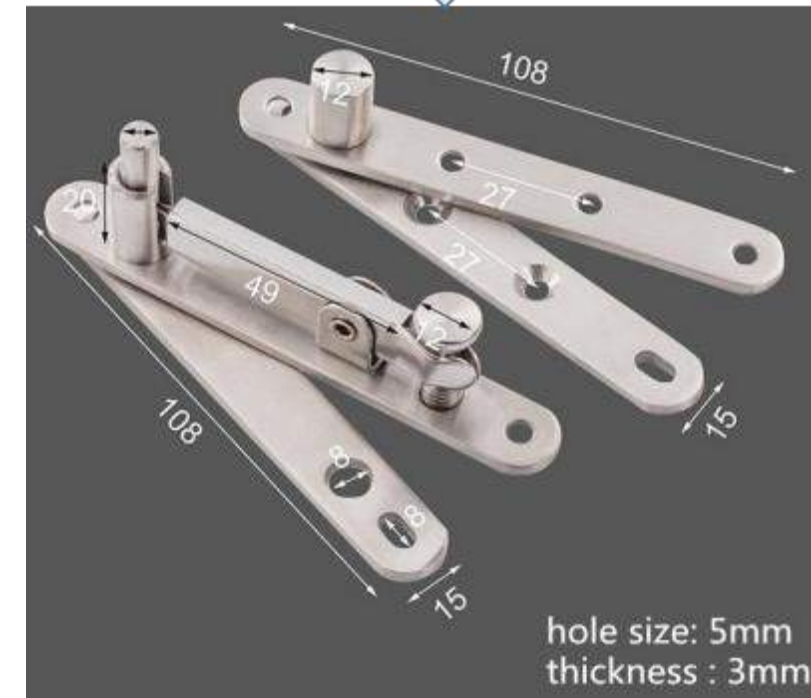


YH-172

Material: stainless steel

Finish: satin

Support weight: 30-40kgs





YH-163SS



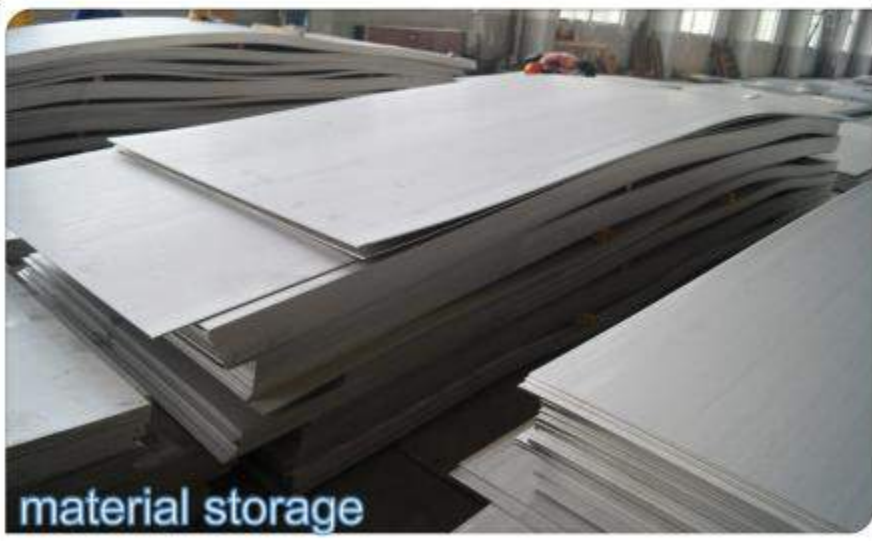
stainless steel
satin finish
Support door weight:
20kg (S size) 40kg (M size)
60kg (L size) 80kg (XL size)





YH-168SS

Material	stainless steel
Package	one set in one box
Size	standard size



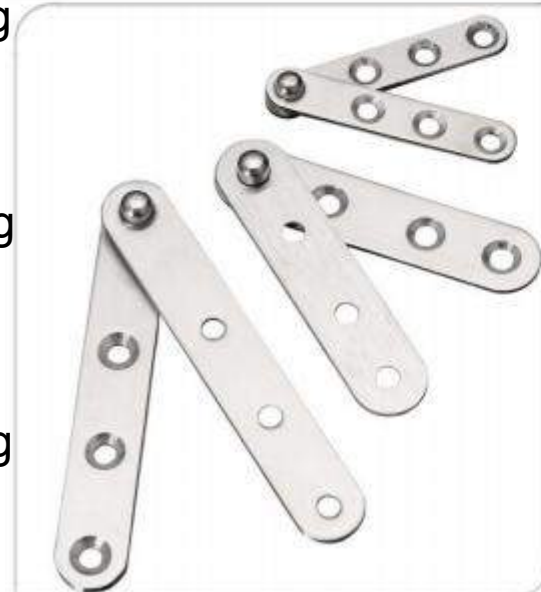
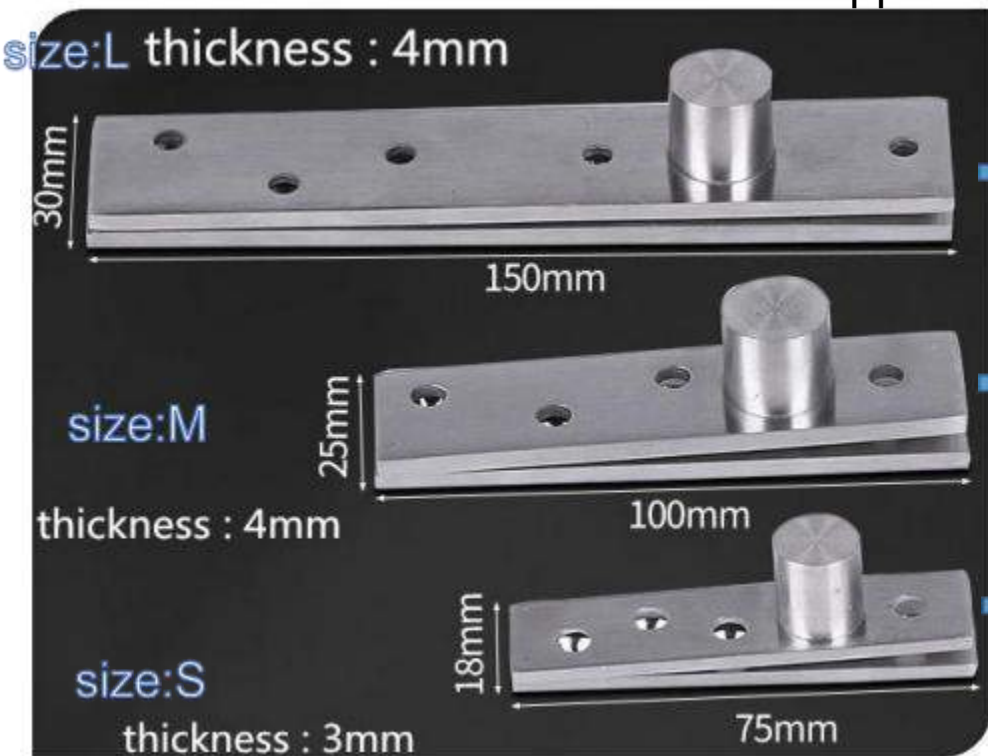
YH-169



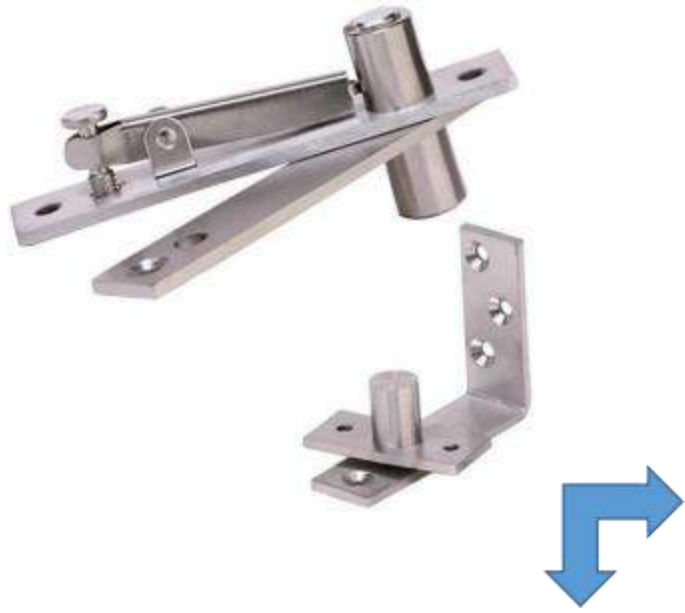
Material	stainless steel
Package	one set in one box
Size	S,M,L



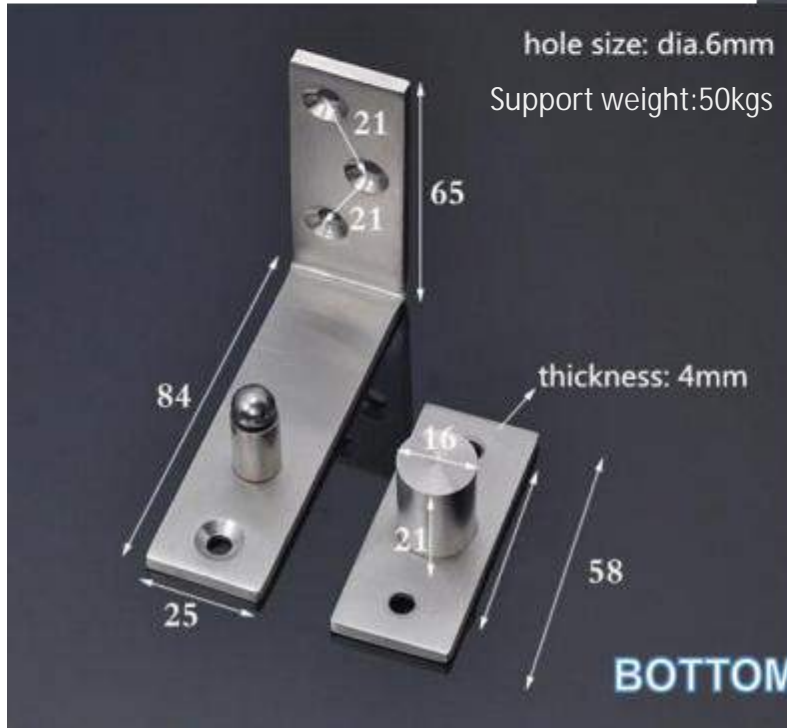
Support weight:



YH-170



YH-171



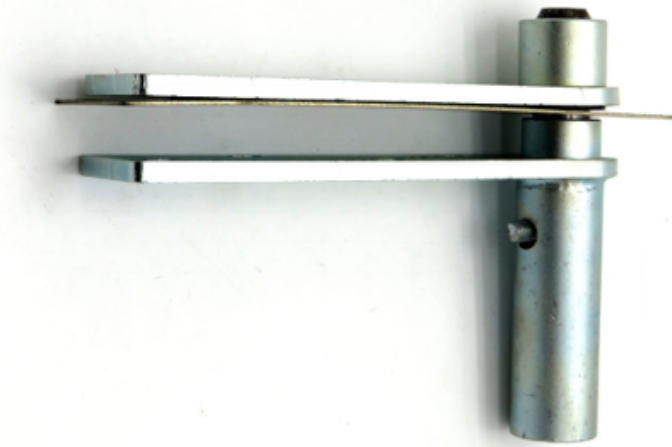
Material	stainless steel
Package	one set n one box
Size	standard size



UPPER HINGE (General type upper component):

Mounting to upper door frame, one side of the rotating axle

It can adjust door gap left and right.



HEAVY DUTY PIVOT HINGE DESIGN



DETAILS:

Model No.: YH-175

Material: SS304 + IRON

Craft: casting

Loading weight: 200-300KG

SELF-ADJUSTING BOTTOM AXLE (With 110-degree limit door stop):

Installing to the bottom door frame, one side of the rotating axle.

It can adjust the door gap left, right, up and down.



Without digging holes on the ground, saving a lot of time in installation and environmental.





Material	stainless steel
Angle	210 degree
Support weight	80KG
Size	standard size

YH-178

APPLICATION



aluminum door



stainless steel door

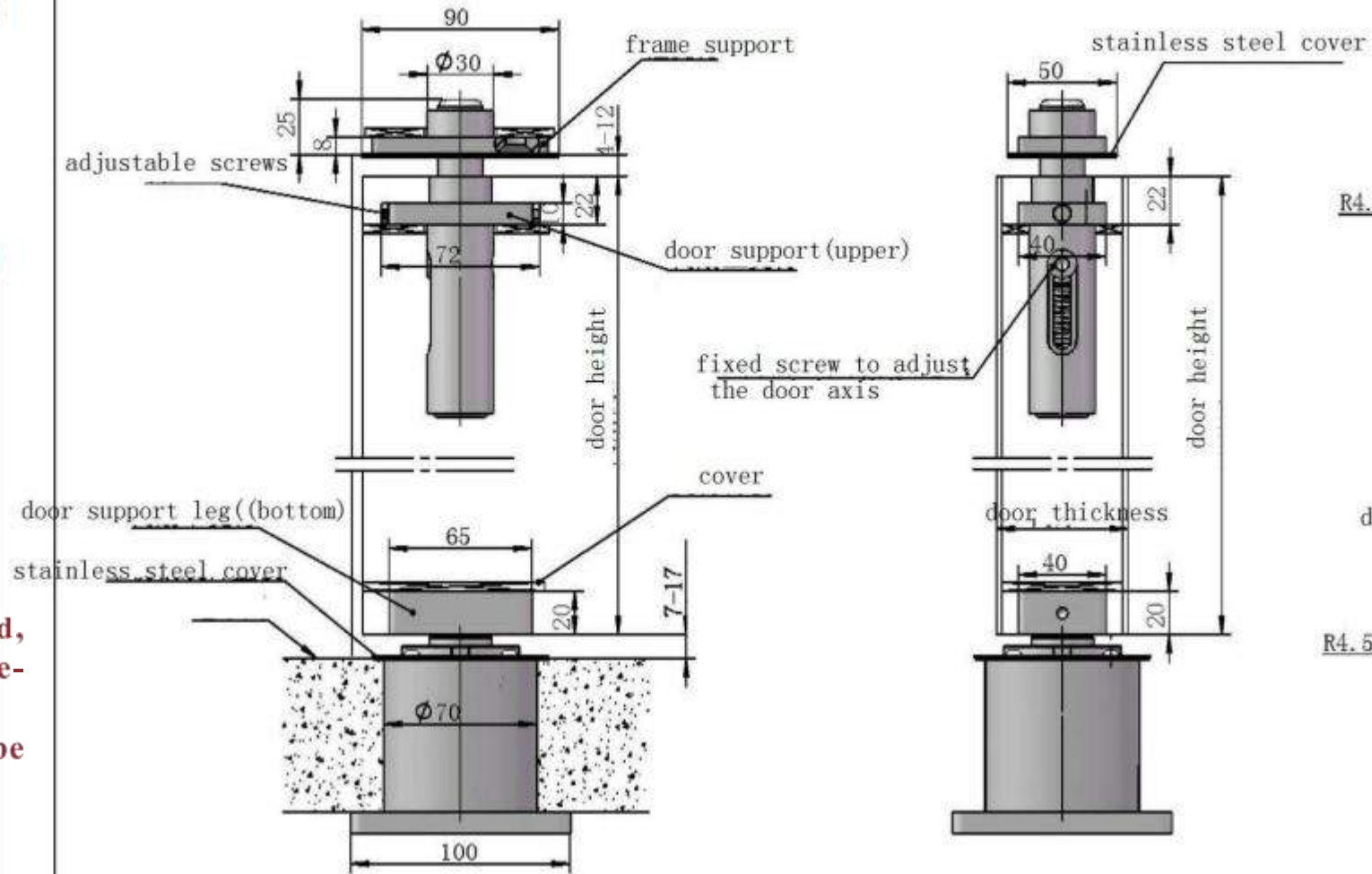


wooden door

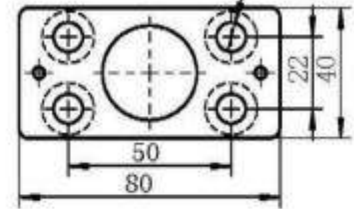


DETAILS

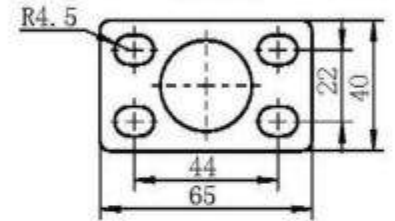
Adjustable Pivot Hinge for 500-800kg Door



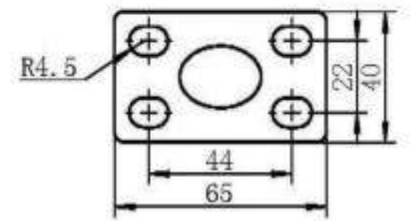
frame supporter (1:1.5) 4- $\Phi 9$ countersink $\Phi 16$



door supporter (upper) (1:1.5)



door supporter leg (bottom) (1:1.5)



Advantage:

1. The bottom shaft is embedded, which is waterproof and moisture-proof;
2. door up, down, left, right can be adjustable;
3. safety and easy to install

Item No.	MAXIMUM DOOR SIZE(mm)	MAXIMUM DOOR WEIGHT(KG)	MINIMUM DOOR FRAME SIZE(mm)	INSTALLATION
YH-179Z	W1800 X H3000	800	70x50	adjustable & invisible into the ground

Installation :



1. Prepare door and frame per details shown. Dimensions are given in mm.

2. Install top pivot (part (1) and part (2)) and bottom pivot (part (3) and part (4)). To insure proper operation of door, the centerline of the top pivot pin must be straight and plumb with bottom pivot.

Be sure the retractable pin of top pivot is retracted.



3. Place door on bottom pivot and raise door to vertical position. Engage top pivot retractable pin by screwing the retracting screw when part (2) is in alignment with the part (1).





YAKO HARDWARE

Contact us:

Email: info@yako-hw.com

Official Website: www.yako-hw.com

Twitter: [Yako_Hardware](https://twitter.com/Yako_Hardware)

Tel.: 86 750 3278683