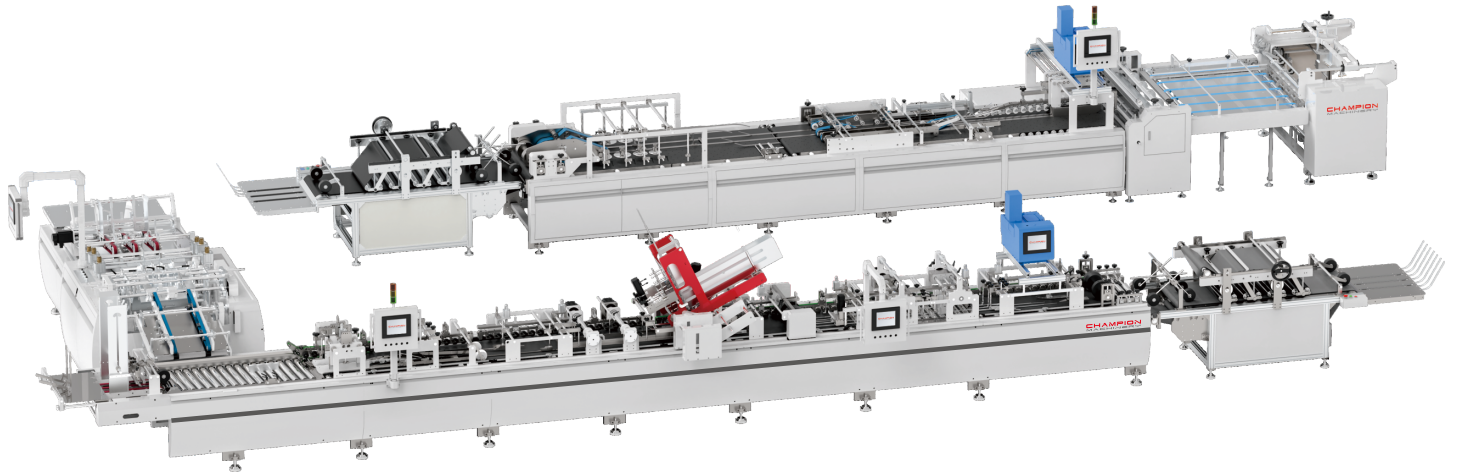
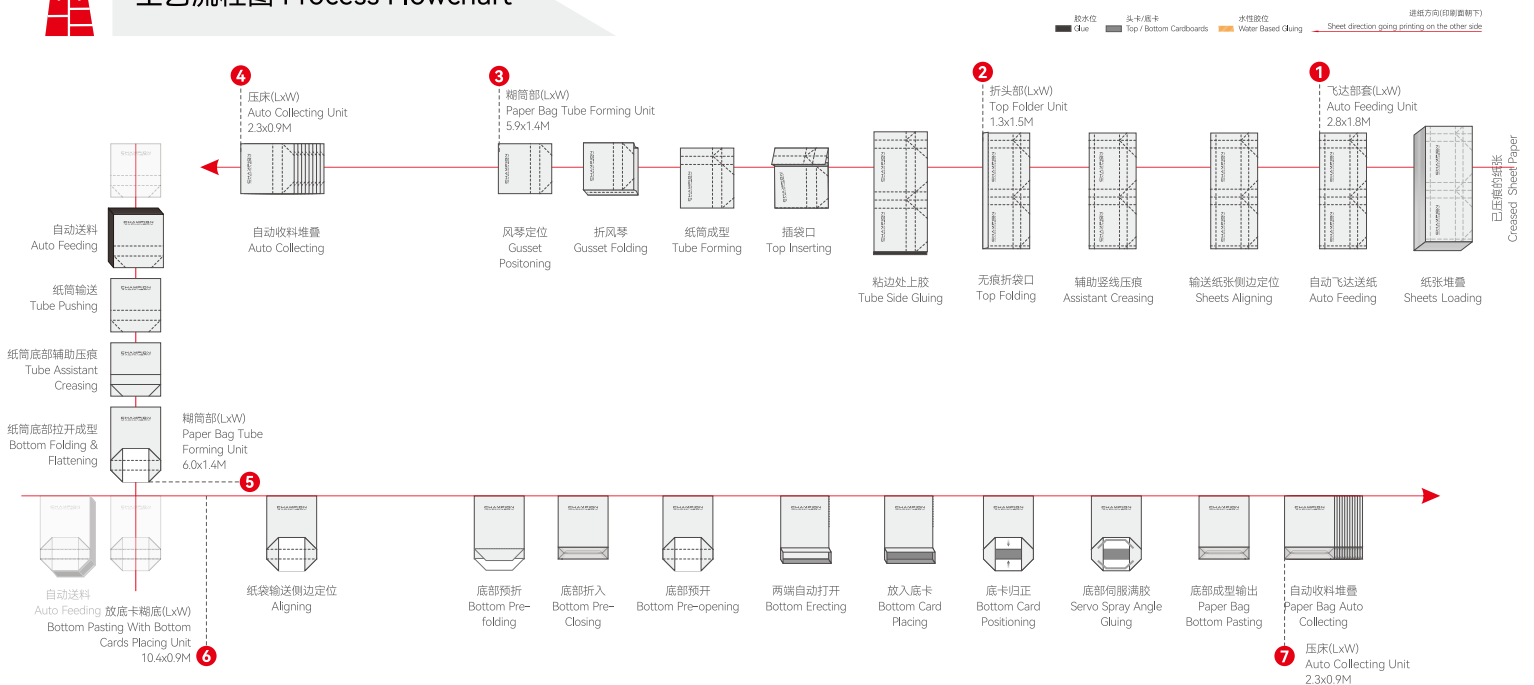


CMTF-1100AT CMBF-420A /520A + CMBS-1000RS

Sheet Fed Paper Bag Production Line
With Auto Bottom Cards Pasting A + B
单张纸袋生产线组合（带自动底卡A+B）

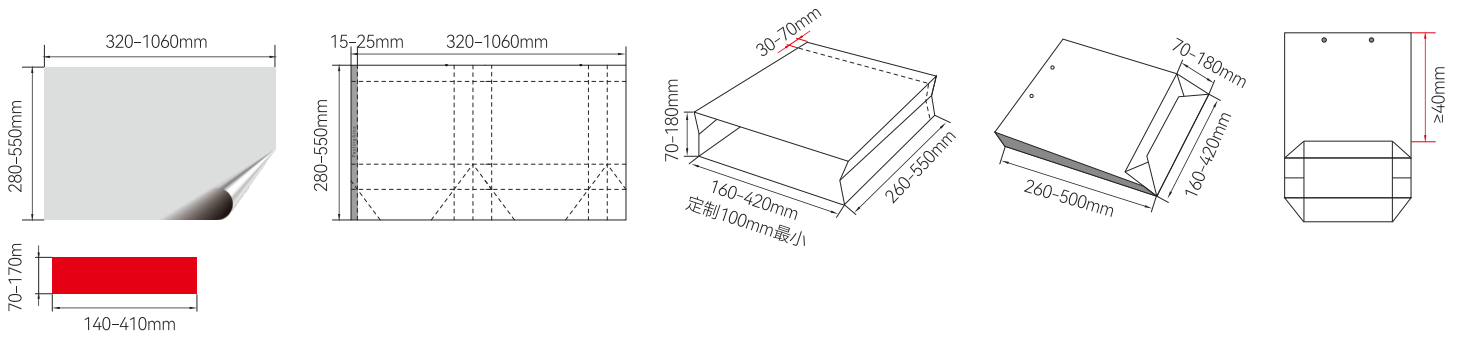


工艺流程图 Process Flowchart





参数示意图 Sheet Paper Data



主要技术参数 TechnicalData

纸张尺寸 Sheet Paper Size

W进纸宽度范围	550-1360mm	Sheet Paper Width
H进纸长度范围	280-580mm	Sheet Paper Length

双拼纸尺寸 Two Sheet Paper Size

W1进纸宽度范围	400-680mm	Before pasting Sheet Paper Width 1
W2进纸宽度范围	400-680mm	Before pasting Sheet Paper Width 2
W进纸宽度范围	550-1360mm	After pasted W1+W2 sheet Paper Width
H进纸长度范围	280-580mm	Sheet Paper Length

纸筒尺寸 Paper Bag Tube Size

折袋口尺寸	30-70mm	Paper Bag Top Folder Depth
纸筒宽度	160-500mm	Paper Bag Tube Width
纸筒长度	260-550mm	Paper Bag Tube Length
风琴尺寸	80-180mm	Paper Bag Gusset
粘位尺寸	15-25mm	Sheet Paper Glue Side

适用纸张原材料和耗材 Suitable Paper Material & Glue & Handle

牛皮纸	120-350gsm	Kraft Paper
铜版纸/覆膜纸	157-250gsm	Coat Paper/ Laminated
白卡纸	157-300gsm	White Board Paper
灰板纸	157-300gsm	Grey Board Paper
胶水	标配热溶选配胶水水性冷胶 Hot melt glue option water base glue	Glue
手提绳	纸手腕圆/扁, 贴丝带, 打头手提绳子/丝带 其他 Flat paper handle, twisted paper handle, tipping with rope or ribbon handle, Ribbon handles with top cardboard pasting glue fix of luxury paper bag	Handle

底卡 Bottom Coadboards

自动 Auto

底卡宽度	/	Bottom Coadboards Width
底卡长度	/	Bottom Coadboards Length

头卡 Top Coadboards

头卡宽度	25-50mm	bottom Coadboards width
头卡长度	140-500mm	bottom Coadboards length

运行 Running

速度	0-60 pcs/min	Speed
----	--------------	-------

安装要求 Installation

装机总功率	39KW	Total Power Supply
压缩空气	6bar	Compressed Air/ Capacity
储气罐能量	15m³/h	Air Tank Capacity



设备占地规划 Machine Floor Plan



扫一扫二维码



了解更多 Learn More