

MODEL HIPA02024548

2.2-2.7GHz Broadband Power Amplifier



Note: The photo is for illustration purposes only. Please refer to outline drawing

■ Features

- Ultra Wide Band: 2.2-2.7GHz
- Gain: 50dB
- Output Power Psat: 49dBm

■ Applications

- Radar Systems
- Communication Systems
- Receivers Systems

□ Electrical Specifications


Parameter	Min.	Typ.	Max	Units
Frequency Range	2.2-2.7			GHz
Small Signal Gain	45			dB
Gain Flatness		± 1	± 1.5	dB
Input VSWER		1.5	2	dB
Output Power for 1 dB Compression (P1dB)		46		dBm
Saturated Output Power (Psat)	48	49		dBm
Harmonic Rejection		13		dB
Spurious		-60		dBc
Input Max Power(no damage)			10	dBm
DC Current (Vcc=+28~30V) (@Pout=55W)		3	5	A
Impedance	50			Ω
Input Output Connector	SMA-k/SMA-K			
Material	Aluminium			
Package Sealing	General Sealing (Standard)			

Environmental Conditions

Operational Temperature	-25°C~+70°C	Vibration	25g rms (15 degree 2KHz) endurance, 1 hour per axis
Storage Temperature	-45°C~+85°C	Shock	20G for 11msc half sin wave, 3 axis both directions
Executive Standard	MIL-STD-810G	Humidity	100% RH at 35c, 95%RH at 40°C

Absolute Maximum Ratings

Supply Bias Voltage	+32V
RF INPUT POWER	+5dBm
ESD sensitivity (HBm)	Class 0, passed 150V

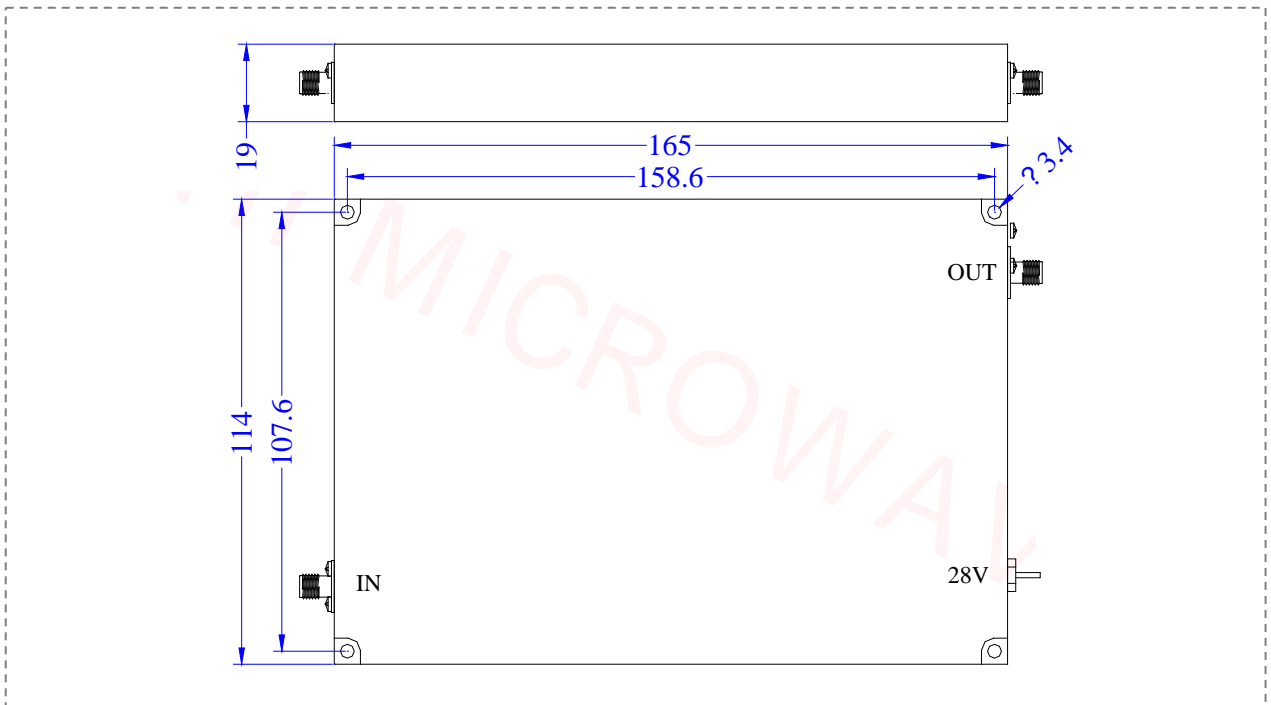


OBSERVE PRECAUTIONS ELECTROSTATIC SENSITIVE DEVICES



Outline Drawing

All Dimensions in mm (inches) Tolerance ± 0.25 (0.01)



*****Heat Sink required during operation*****