

# MODEL HIPA05054543

## 5.057-5.257GHz 20W Power Amplifier



Note: The photo is for illustration purposes only.  
Please refer to outline drawing

### ■ Features

- Ultra Wide Band: 5.057-5.257GHz
- Gain: 50dB
- Output Power Psat: 43dBm

### ■ Applications

- Radar Systems
- Communication Systems
- Receivers Systems

### □ Electrical Specifications

Parameter	Min.	Typ.	Max	Units
Frequency Range	5.057-5.257			GHz
Small Signal Gain	45			dB
Gain Flatness		±0.5	±1	dB
Input VSWR		1.5	2	dB
Output Power for 1 dB Compression (P1dB)		41		dBm
Saturated Output Power (Psat)	43			dBm
Harmonic Rejection		10		dB
Spurious		-60		dBc
Input Max Power(no damage)			10	dBm
DC Current (Vcc=+28~30V) (@Pout=20W)		2	3.5	A
Impedance	50			Ω
Input Output Connector	SMA-k/SMA-K			
Material	Aluminium			
Package Sealing	General Sealing (Standard)			

### Environmental Conditions

<b>Operational Temperature</b>	-25°C~+70°C	<b>Vibration</b>	25g rms (15 degree 2KHz) endurance, 1 hour per axis
<b>Storage Temperature</b>	-45°C~+85°C	<b>Shock</b>	20G for 11msc half sin wave, 3 axis both directions
<b>Executive Standard</b>	MIL-STD-810G	<b>Humidity</b>	100% RH at 35c, 95%RH at 40°C

### Absolute Maximum Ratings

<b>Supply Bias Voltage</b>	+32V
<b>RF INPUT POWER</b>	+10dBm
<b>ESD sensitivity (HBm)</b>	Class 0, passed 150V

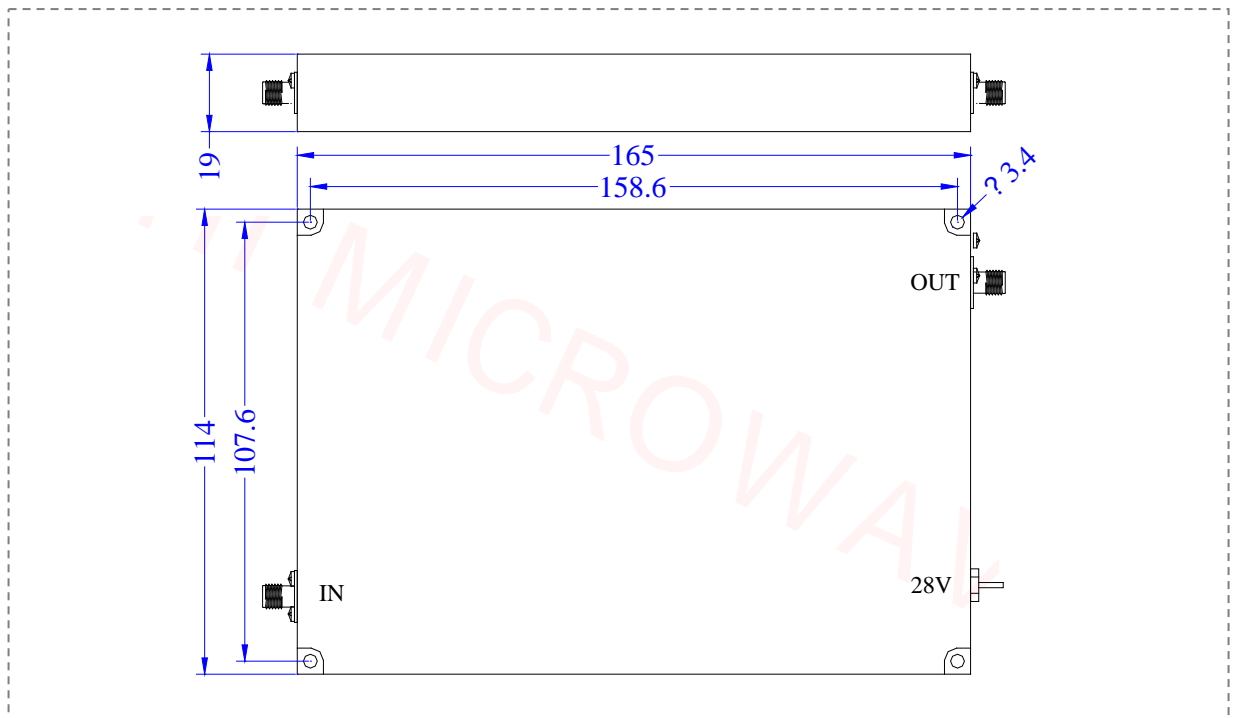


OBSERVE  
PRECAUTIONS  
ELECTROSTATIC  
SENSITIVE  
DEVICES



### Outline Drawing

All Dimensions in mm ( inches ) Tolerance  $\pm 0.25$  ( 0.01 )



**\*\*\*Heat Sink required during operation\*\*\***