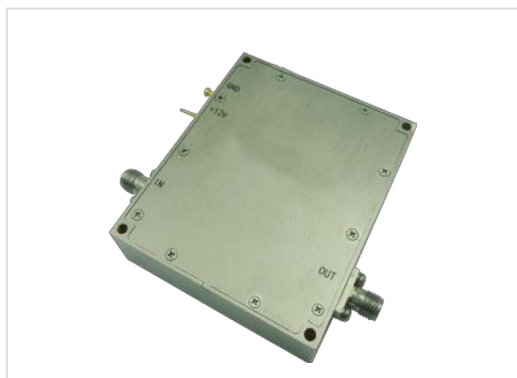


MODEL HIPA09094947

9.7-9.9GHz Power Amplifier



Note: The photo is for illustration purposes only.
Please refer to outline drawing

■ Features

- Ultra Wide Band: 9.7-9.9GHz
- Gain: 47dB
- Output Power Psat: 47dBm

■ Applications

- Radar Systems
- Communication Systems
- Receivers Systems

□ Electrical Specifications

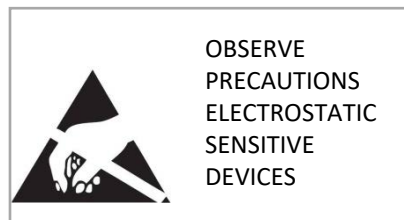
Parameter	Min.	Typ.	Max	Units
Frequency Range	9.7-9.9			GHz
Small Signal Gain	47	49		dB
Gain Flatness		±0.3	±0.5	dB
Gain Variation Over Temperature			±1	dB
Input VSWR		1.5	2.0	-
Output Power for 1 dB Compression (P1dB)	45	47		dBm
Saturated Output Power (Psat)		48		dBm
Harmonic Rejection		15		dB
Input Max Power(no damage)			10	dBm
Internally Generated Spurious		-60		dBc
DC Current (Vcc=+28V) (@Pout=10W)		3	5	A
Impedance	50			Ω
Input Output Connector	SMA-k/SMA-K			
Material	Aluminium			
Weight	300g			

Environmental Conditions

Operational Temperature	-35°C~+70°C	Vibration	25g rms (15 degree 2KHz) endurance, 1 hour per axis
Storage Temperature	-55°C~+125°C	Shock	20G for 11msc half sin wave, 3 axis both directions
Executive Standard	MIL-STD-810G	Humidity	100% RH at 35c, 95%RH at 40°C

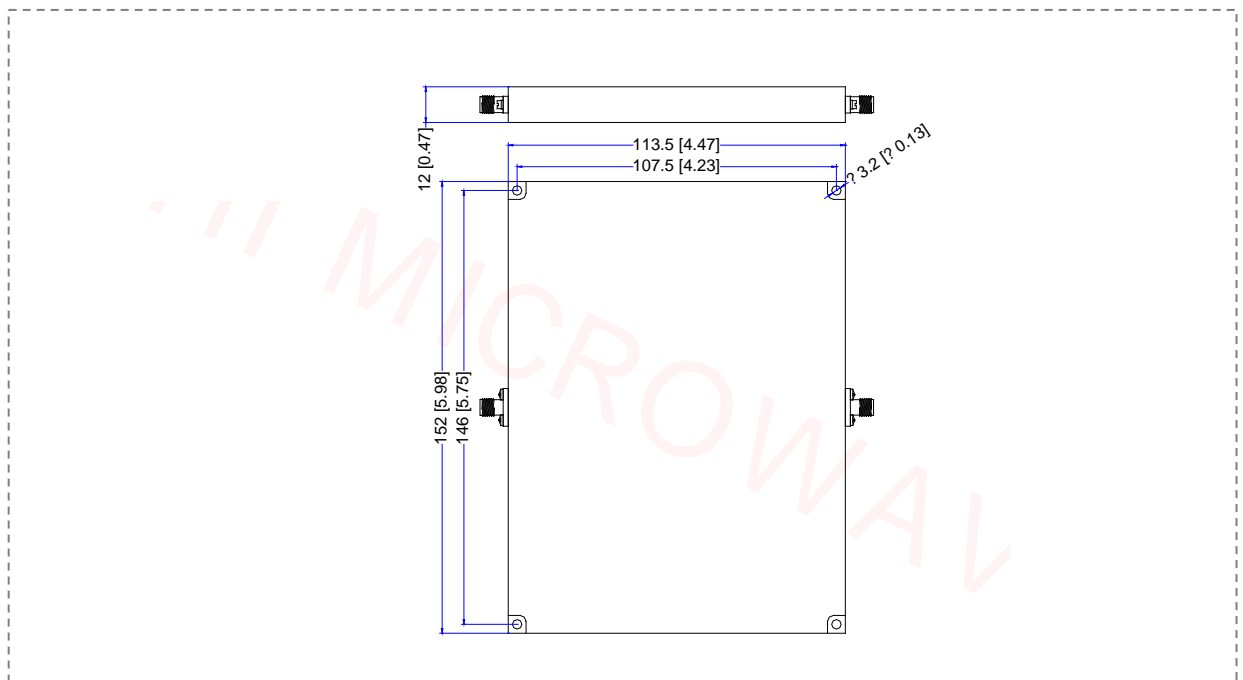
Absolute Maximum Ratings

Supply Bias Voltage	+30V
RF INPUT POWER	+10dBm
ESD sensitivity (HBm)	Class 0, passed 150V



Outline Drawing

All Dimensions in mm (inches) Tolerance ± 0.25 (0.01)



*****Heat Sink required during operation*****