

MODEL HIPA18431826

18-43GHz Broadband Power Amplifier



Note: The photo is for illustration purposes only. Please refer to outline drawing

■ Features

- Ultra Wide Band: 18-43GHz
- Gain: 17dB
- Output Power Psat: 25dBm
- Bias: Vd=12V;Id=0.4A

■ Applications

- Radar Systems
- Communication Systems
- Receivers Systems

□ Electrical Specifications

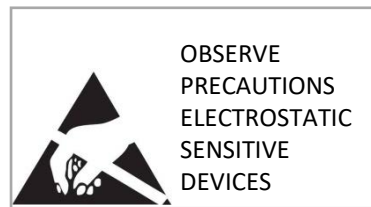
Parameter	Min.	Typ.	Max	Units
Frequency Range	18-43			GHz
Small Signal Gain	15	18		dB
Gain Flatness		±2		dB
Input VSWR		2.0		-
Output VSWR		2.0		-
Output Power for 1 dB Compression (P1dB)	23	25		dBm
Saturated Output Power (Psat)		26		dBm
Input Max Power(no damage)			10	dBm
DC Current (Vcc=9+15V) (@Pout=0.3W)		0.4	0.5	A
Impedance	50			Ω
Input Output Connector	2.92			
Material	Aluminium/Gold Painting			
Weight	100g			
Dimension	20X30X8mm			
Package Sealing	General Sealing (Standard) Hermetically sealed(Optional)			

Environmental Conditions

Operational Temperature	-45°C~+85°C	Vibration	25g rms (15 degree 2KHz) endurance, 1 hour per axis
Storage Temperature	-55°C~+125°C	Shock	20G for 11msc half sin wave, 3 axis both directions
Executive Standard	MIL-STD-810G	Humidity	100% RH at 35c, 95%RH at 40°C

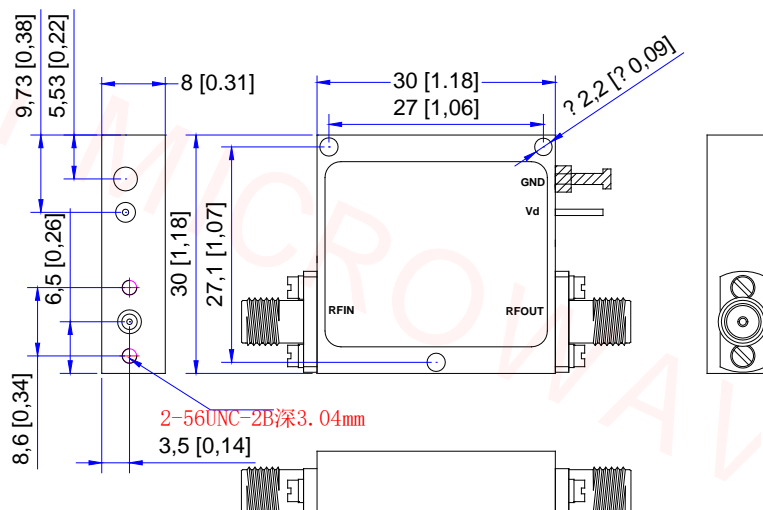
Absolute Maximum Ratings

Supply Bias Voltage	+15V
RF INPUT POWER	10dBm
ESD sensitivity (HBm)	Class 0, passed 150V



Outline Drawing

All Dimensions in mm (inches) Tolerance ± 0.25 (0.01)



*****Heat Sink required during operation*****