

MODEL HILNAH1203040B

0.01-20GHz Broadband Amplifier



Note: The photo is for illustration purposes only. Please refer to outline drawing

■ Features

- Ultra Wide Band: 0.01-20GHz
- Gain: 30dB
- Output Power: 28dBm
- High Output IP3: 40dBm

■ Applications

- Radar Systems
- Communication Systems
- Receivers Systems

□ Electrical Specifications

Parameter	Min.	Typ.	Max	Min.	Typ.	Max	Units
Frequency Range	0.01-6		6-20				GHz
Gain	28	30		26	30		dB
Gain Flatness		±1.5	±2		±1.5	±2	dB
Gain Variation Over Temperature		±1			±1		dB
Input VSWR		1.5	2.0		1.5	2.0	
Output VSWR		1.8	2.0		1.8	2.0	
Output Power for 1 dB	26	28		25	27		dBm
Saturated Output Power (Psat)		29			29		dBm
Noise Figure		4	5.5		4	5.0	dB
OIP3		40			40		
Input Max Power(no damage)			6			6	dBm
DC Current (Vcc=+12V)		500			500		mA
Impedance	50						Ω
Input Output Connector	SMA-k/SMA-K						
Material	Aluminium/Gold						
Weight	50g						
Package Sealing	General Sealing (Standard); Hermetically Seal(Optional)						

Environmental Conditions

Operational Temperature	-45°C~+85°C	Vibration	25g rms (15 degree 2KHz) endurance, 1 hour per axis
Storage Temperature	-55°C~+125°C	Shock	20G for 11msc half sin wave, 3 axis both directions
Executive Standard	MIL-STD-810G	Humidity	100% RH at 35c, 95%RH at 40°C

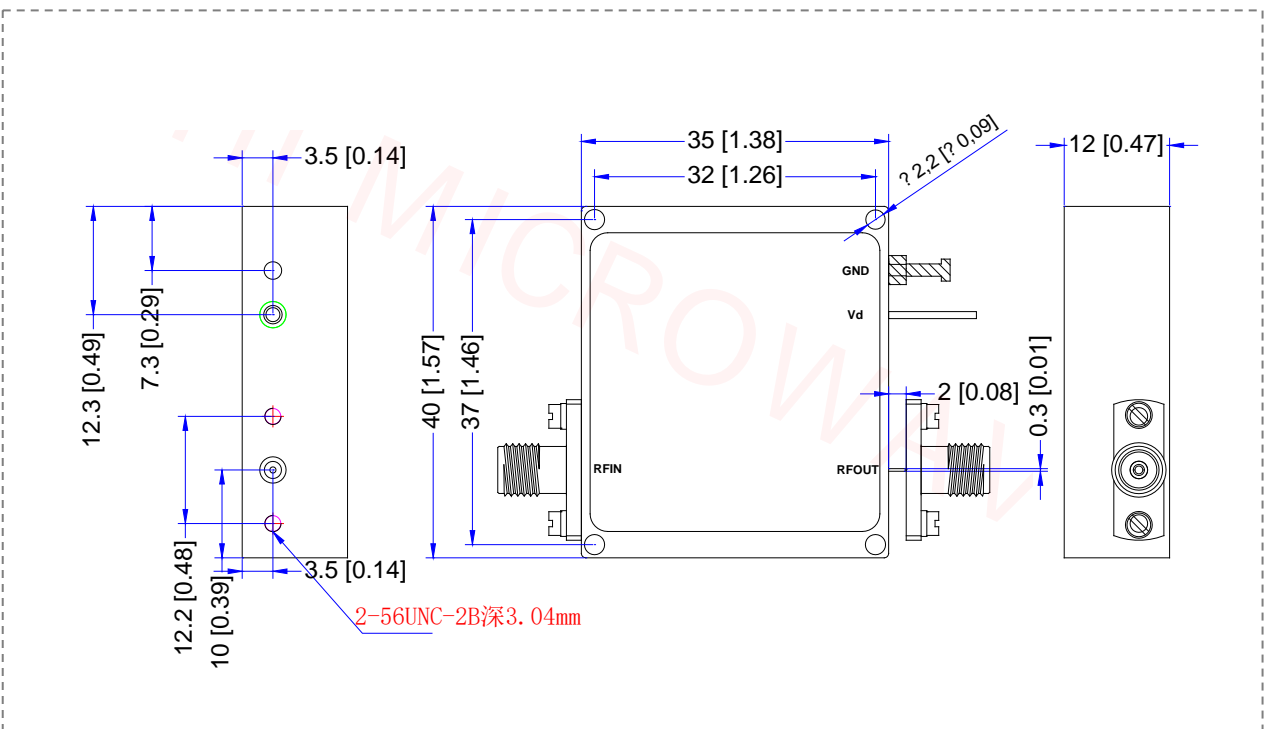
Absolute Maximum Ratings

Supply Bias Voltage	15V
RF INPUT POWER	6dBm
ESD sensitivity (HBm)	Class 0, passed 150V



Outline Drawing

All Dimensions in mm (inches) Tolerance ± 0.25 (0.01)



*****Heat Sink required during operation*****