

# MODEL HILNA18402450

## 18-40GHz Low Noise Amplifier



Note: The photo is for illustration purposes only.  
Please refer to outline drawing

### ■ Features

- Ultra Wide Band: 18-40GHz
- Gain: 25dB
- Output Power: 20dBm
- High Output IP3: 30dBm

### ■ Applications

- Radar Systems
- Communication Systems
- Receivers Systems

### □ Electrical Specifications

Parameter	Min.	Typ.	Max	Units
Frequency Range	18-40			GHz
Gain	21	24		dB
Gain Flatness		±2.0		dB
Input VSWR		2.0		-
Output VSWR		2.0		-
Output Power for 1 dB Compression (P1dB)	18	20		dBm
Output Power Past		21		dBm
Noise Figure		5	7	dB
OIP3	25	30		dBm
OIP2	30	35		dBm
Input Max Power(no damage)			2	dBm
DC Current (Vcc=+12V)		250		mA
Impedance	50			Ω
Input Output Connector	2.92-k			
Material	Aluminium\Gold Painting			
Weight	50g			
Package Sealing	General Sealing (Standard)			

### Environmental Conditions

Operational Temperature	-45°C~+85°C	Vibration	25g rms (15 degree 2KHz) endurance, 1 hour per axis
Storage Temperature	-55°C~+125°C	Shock	20G for 11msc half sin wave, 3 axis both directions
Executive Standard	MIL-STD-810G	Humidity	100% RH at 35c, 95%RH at 40°C

### Absolute Maximum Ratings

Supply Bias Voltage	+20V
RF INPUT POWER	2dBm
ESD sensitivity (HBm)	Class 0, passed 150V

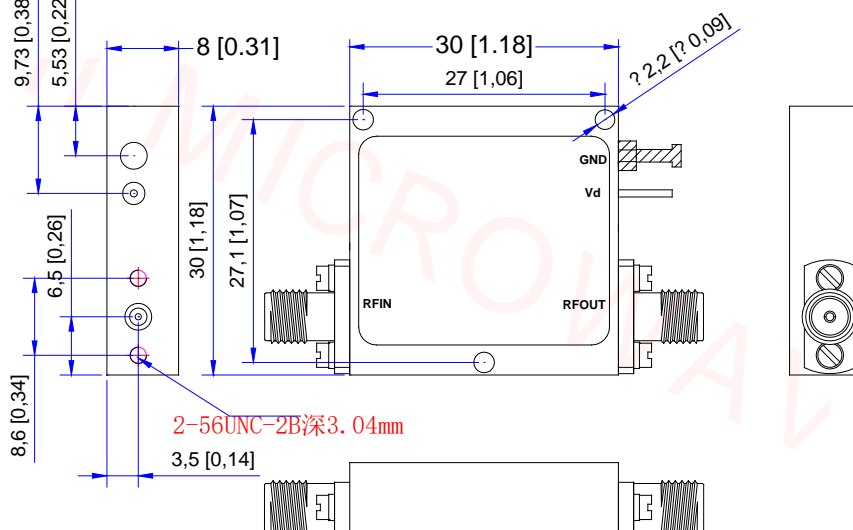


OBSERVE  
PRECAUTIONS  
ELECTROSTATIC  
SENSITIVE  
DEVICES



### Outline Drawing

All Dimensions in mm ( inches ) Tolerance  $\pm 0.25$  ( 0.01 )



**\*\*\*Heat Sink required during operation\*\*\***