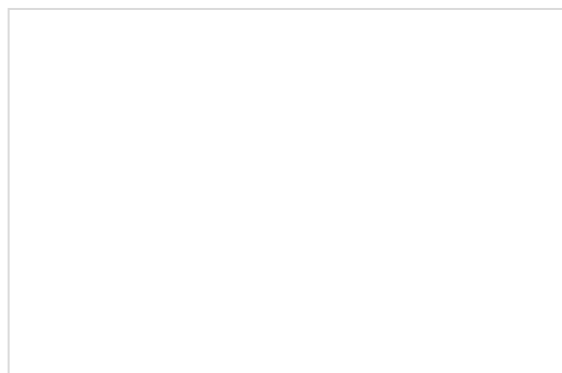




MODEL HISP3TA3350

33-50GHz Broadband Switch



Note: The photo is for illustration purposes only. Please refer to outline drawing

■ Features

- Ultra Wide Band: 33-50GHz
- Low Insertion Loss: 4dB
- Power Handling : 0.25W
- Switch Type: Absorption

■ Applications

- Radar Systems
- Communication Systems
- Receivers Systems

□ Electrical Specifications

Parameter	Min.	Typ.	Max	Min.	Typ.	Max	Units
Frequency Range	33-38		38-50				GHz
Insertion Loss		3.0			4.0		dB
Isolation	50	55		46	50		dB
Input VSWR		2.0			2.0		-
Output VSWR		2.0			2.0		-
Switch Speed		50	100		50	100	ns
Power Handling (operational)			0.25			0.25	W
DC Current (Vcc=+/-5V)	100/40						mA
Control Logic TTL	0/+5						v
Impedance	50						Ω
Input Output Connector	2.4-K						
Material	Aluminium/Gold Painting						
Weight	50g						
Package Sealing	Epoxy Sealing (Standard)						

Environmental Conditions

Operational Temperature	-45°C~+85°C	Vibration	25g rms (15 degree 2KHz) endurance, 1 hour per axis
Storage Temperature	-55°C~+125°C	Shock	20G for 11msc half sin wave, 3 axis both directions
Executive Standard	MIL-STD-810G	Humidity	100% RH at 35c, 95%RH at 40°C

Absolute Maximum Ratings

Supply Bias Voltage	+/-10%
RF INPUT POWER	0.25W
ESD sensitivity (HBm)	Class 0, passed 150V

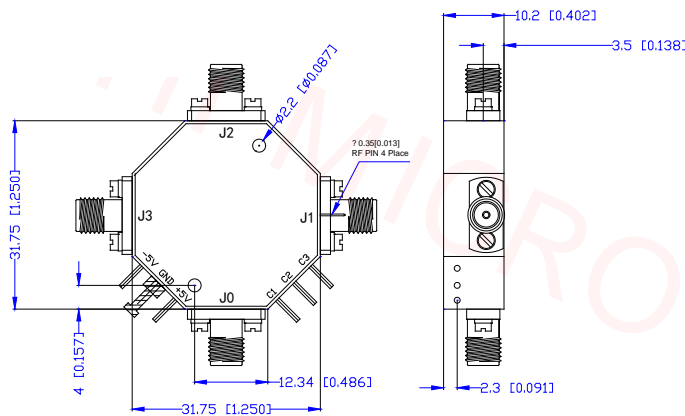


OBSERVE PRECAUTIONS
ELECTROSTATIC SENSITIVE
DEVICES



Outline Drawing

All Dimensions in mm (inches) Tolerance ± 0.25 (0.01)



TTL Control Voltages & VDD			
Stage	Bias Condition		
VDD	+5V ($\pm 10\%$)		
VEE	-5V ($\pm 10\%$)		
Low	0 to 0.8Vdc		
High	2.0 to +5.0Vdc		
Truth Table			
Control TTL Input			Signal Path State
C3	C2	C1	
1	1	0	J0-J1
1	0	1	J0-J2
0	1	1	J0-J3