



MODEL HISP8TAT540

0.5-40GHz PIN Power Switch

■ Features

- Ultra Wide Band
- Low Insertion Loss
- Power Handling
- Switch Type: Absorption

■ Applications

- Radar Systems
- Communication Systems
- Receivers Systems

Note: The photo is for illustration purposes only.
Please refer to outline drawing

□ Electrical Specifications

Parameter	Min.	Typ.	Max	Units
Frequency Range	0.5-40			GHz
Insertion Loss		6.5		dB
Isolation	50			dB
Input VSWR		2.5		-
Output VSWR		2.5		-
Switch Speed		50	100	ns
Input Third Order Intercept (Two-Tone Input Power = +8dBm Each Tone)	37			dBm
Power Handling (operational)			23	dBm
DC Current (Vcc=+/-5V)	220/50			mA
Control TTL	0/+5			
Impedance	50			Ω
Input Output Connector	2.92-k/2.92-K			
Material	Aluminium/Gold Painting			
Weight	50g			
Package Sealing	Epoxy Sealing (Standard)			

Environmental Conditions

Operational Temperature	-45°C~+85°C	Vibration	25g rms (15 degree 2KHz) endurance, 1 hour per axis
Storage Temperature	-55°C~+125°C	Shock	20G for 11msc half sin wave, 3 axis both directions
Executive Standard	MIL-STD-810G	Humidity	100% RH at 35c, 95%RH at 40°C

Absolute Maximum Ratings

Supply Bias Voltage	+/-10%
RF INPUT POWER	23dBm
ESD sensitivity (HBm)	Class 0, passed 150V

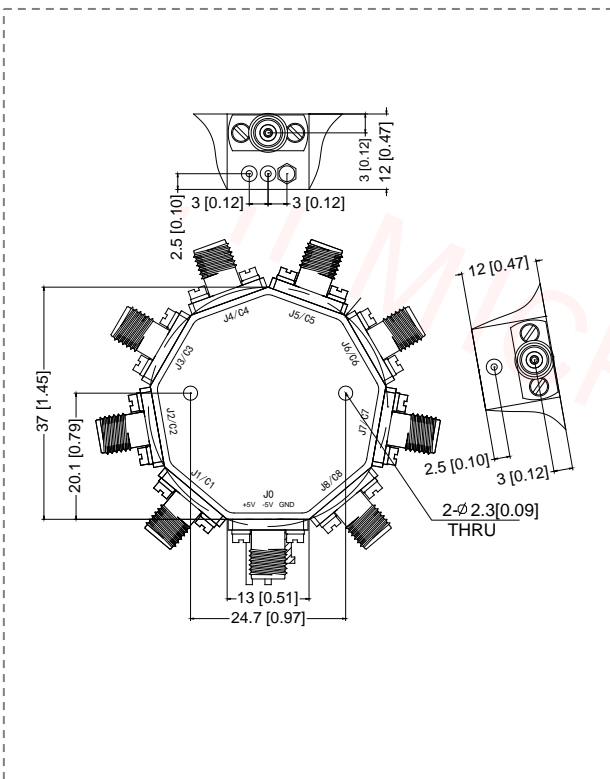


OBSERVE PRECAUTIONS
ELECTROSTATIC SENSITIVE
DEVICES



Outline Drawing

All Dimensions in mm (inches) Tolerance ± 0.25 (0.01)



TTL Control Voltages & VDD

Stage	Bias Condition
VDD	+5V ($\pm 10\%$)
VEE	-5V ($\pm 10\%$)
Low	0 to 0.8Vdc
High	2.0 to +5.0Vdc

Control Input TTL

Control Input TTL								Signal Path State
C8	C7	C6	C5	C4	C3	C2	C1	
1	1	1	1	1	1	1	0	J0-J1
1	1	1	1	1	1	0	1	J0-J2
1	1	1	1	1	0	1	1	J0-J3
1	1	1	1	0	1	1	1	J0-J4
1	1	1	0	1	1	1	1	J0-J5
1	1	0	1	1	1	1	1	J0-J6
1	0	1	1	1	1	1	1	J0-J7
0	1	1	1	1	1	1	1	J0-J8